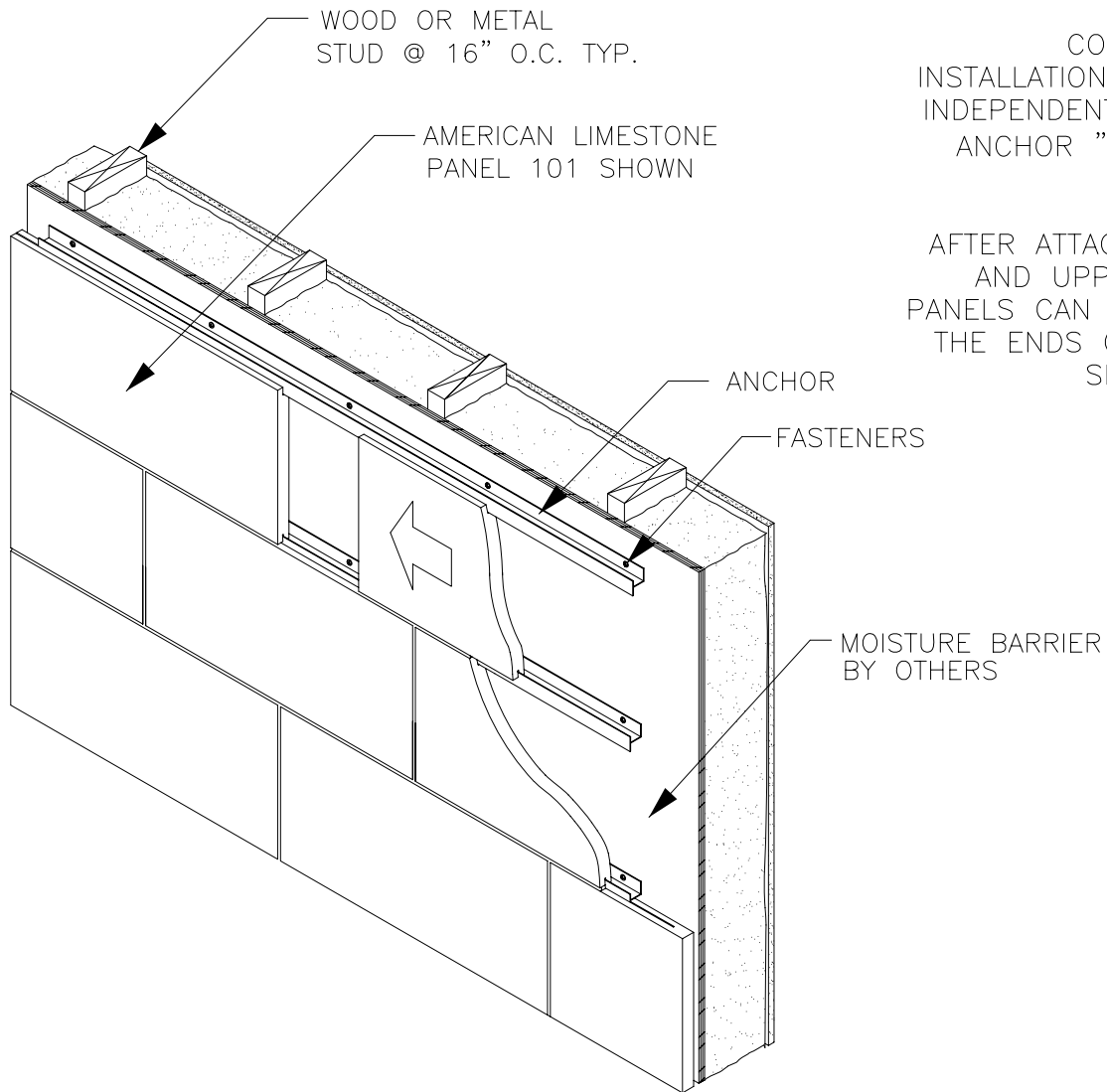


# CONTINUOUS ANCHOR INSTALLATION



CONTINUOUS ANCHOR INSTALLATION ALLOWS FOR THE INDEPENDENT INSTALLATION OF ANCHOR "RAILS" AND STONE ELEMENTS.

AFTER ATTACHMENT OF LOWER AND UPPER ANCHORS, THE PANELS CAN BE INSERTED INTO THE ENDS OF THE RAILS AND SLID INTO POSITION.

FASTENER HOLES SHOULD BE DRILLED NO MORE THAN 16" OC AND CENTERED IN THE "V" GROOVE PROVIDED. FASTENER TYPE AND REQUIREMENTS SHOULD BE CONFIRMED USING THE ANCHOR LOADING TABLES IN THE ALC SOLUTION MANUAL (SEE P.3.1.3 AND 3.1.3A) OR PER AN ENGINEER'S RECOMMENDATIONS.

FASTENERS SHOULD BE LOCATED NO LESS THAN 4" FROM THE END OF THE RAIL.

DURING A CONTINUOUS ANCHOR INSTALLATION, IT MAY BE NECESSARY OR DESIRABLE TO COMBINE BOTH CLIP AND CONTINUOUS TYPES OF INSTALLATION TO ACCOMMODATE SPECIFIC JOBSITE CONDITIONS (SEE P.3.2.3).

**AMERICAN LIMESTONE COMPANY**

A TEXAS CORPORATION  
 WWW.AMERICANLIMESTONE.COM  
 INFO@AMERICANLIMESTONE.COM

CONTINUOUS ANCHOR INSTALLATION

**3.2.4**