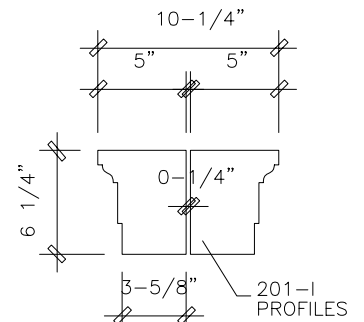
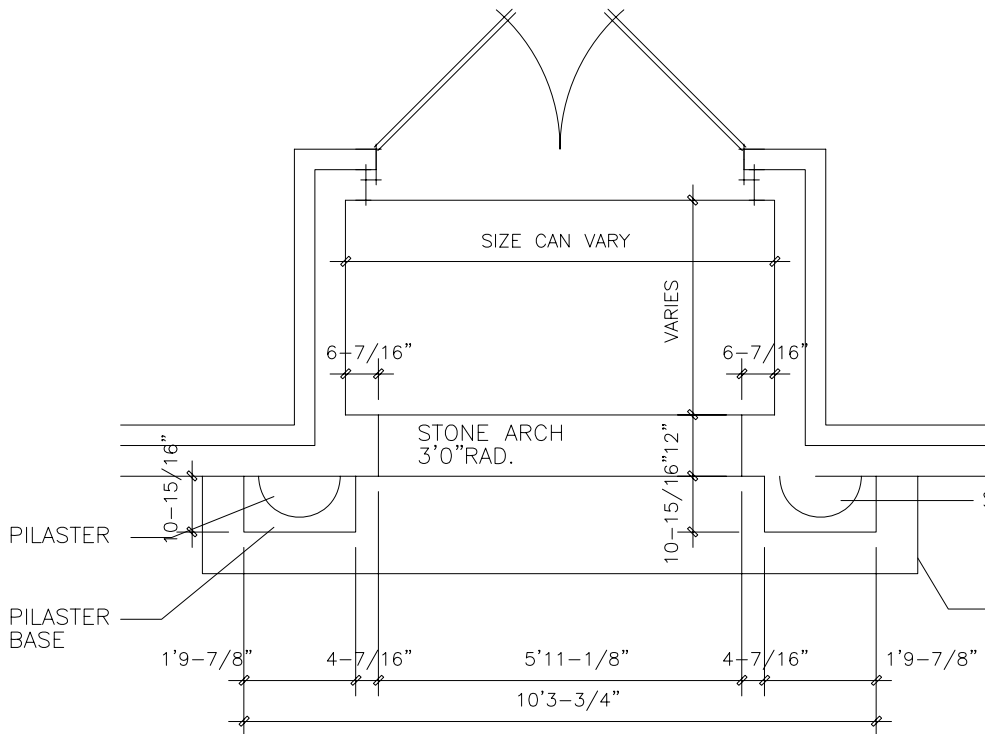
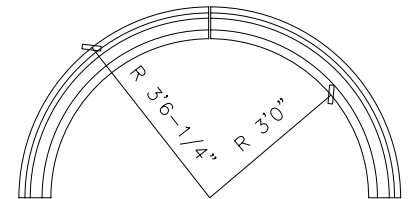


SEE 1.1.5A

LINE OF MOLDING ABOVE

1 PLAN VIEW OF COLUMN LOCATION
REFERENCE 1.1.2 FOR FRONT ELEVATION



OPT. 201-I ARCH

SEE 1.1.5B

LINE OF MOLDING ABOVE

2 PLAN VIEW OF PILASTER LOCATION
REFERENCE 1.1.2 FOR FRONT ELEVATION

AMERICAN LIMESTONE COMPANY
A TEXAS CORPORATION
WWW.AMERICANLIMESTONE.COM
INFO@AMERICANLIMESTONE.COM

PLAN VIEW OF COLUMN AND PILASTER

1.1.3