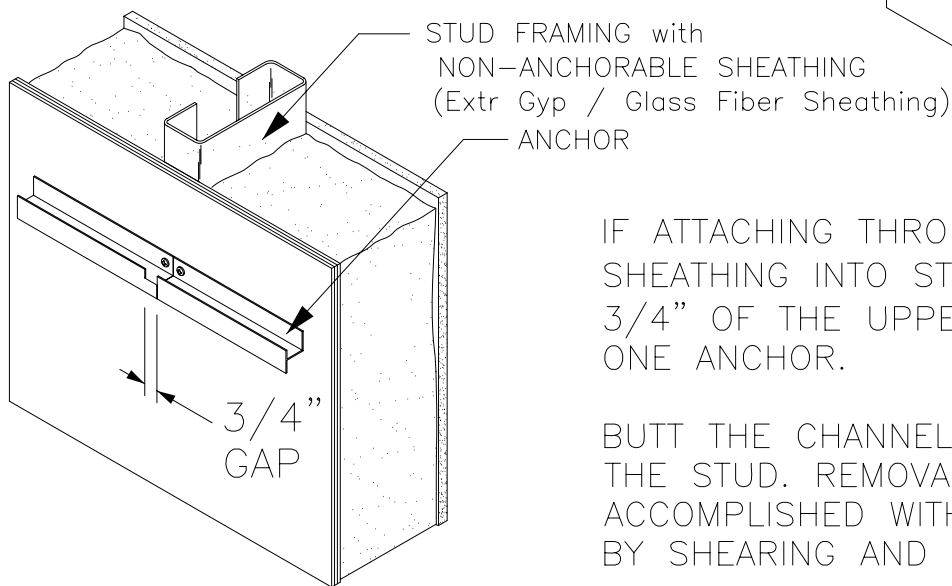
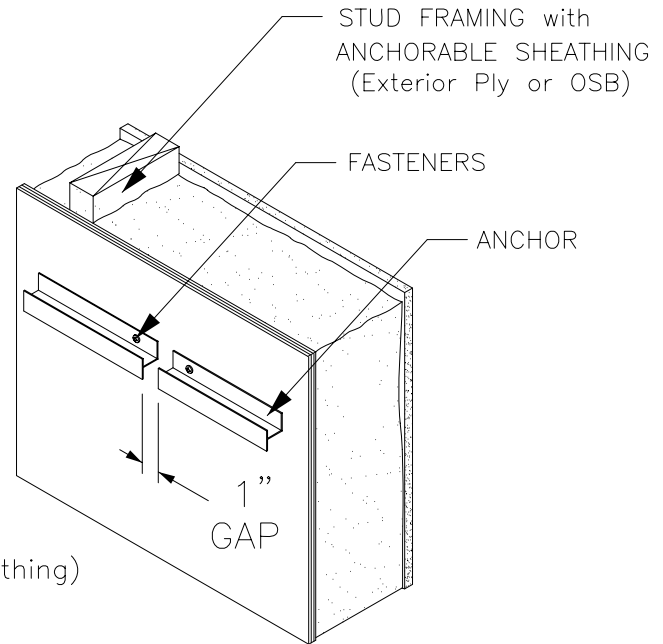


CONTINUOUS ANCHOR INSTALLATION (CONT'D)

WHEN ATTACHING TO A SOLID SURFACE SUBSTRATE SUCH AS PLYWOOD, OSB, CMU, ETC., RAILS SHOULD BE SPACED TO ALLOW FOR A 1" WEEP GAP BETWEEN THE RAIL ENDS (OR APPROX. EVERY 10 CONTINUOUS FEET).



IF ATTACHING THROUGH A LOW-DENSITY SHEATHING INTO STUDS, REMOVE 1/2" TO 3/4" OF THE UPPER FLANGE AT ONE END OF ONE ANCHOR.

BUTT THE CHANNEL ENDS WHEN SECURING TO THE STUD. REMOVAL OF THE FLANGE CAN BE ACCOMPLISHED WITH EITHER A HANDSAW OR BY SHEARING AND BREAKING WITH PLIERS.

ALC RECOMMENDS THE USE OF A GREASELESS LUBRICANT (SUCH AS LPS-1 - AVAILABLE FROM TOOLING AND LUBRICATION SUPPLY FIRMS).

THE LUBRICANT SHOULD BE APPLIED TO THE WEB OF THE ANCHOR RAIL WHERE MULTIPLE PANELS WILL BE SLID INTO POSITION. THIS WILL EASE INSTALLATION AND PROTECT THE KYNAR FINISH OF THE ANCHORS FROM EXCESSIVE WEAR.

