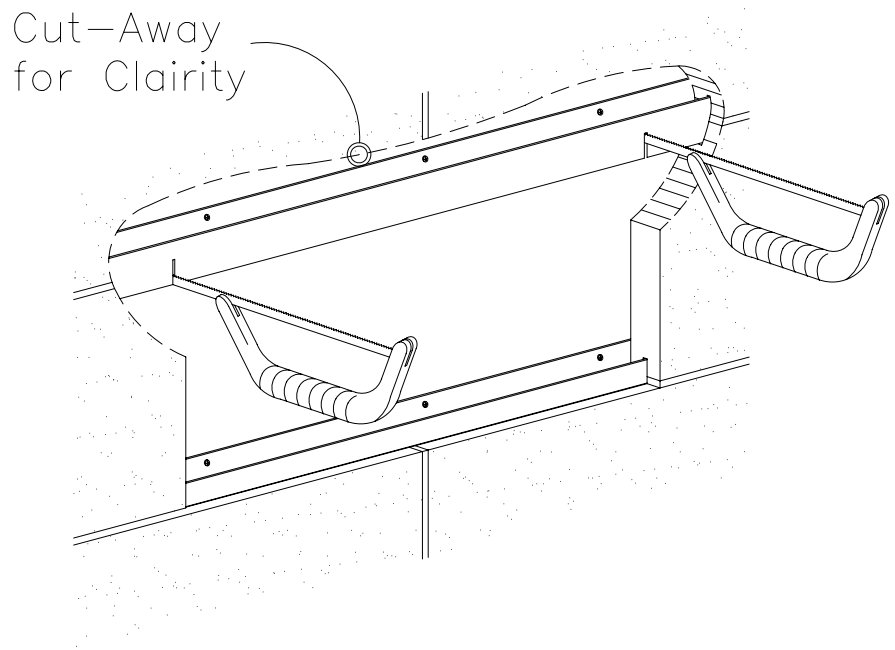


REMOVAL OF LOWER FLANGE OF UPPER ANCHOR

WITH A HACKSAW BLADE, MAKE A VERTICAL CUT (APPROX. 1/2") TO THE LOWER FLANGE OF THE UPPER ANCHOR AT EACH END OF THE PANEL OPENING.



WITH HEAVY PLIERS, GRASP THE LOWER FLANGE NEXT TO THE VERTICAL CUT AND TWIST. THIS WILL SHEAR THE FLANGE FROM THE EXTRUSION.

REPEAT THE PROCESS TO REMOVE THE ENTIRE LOWER FLANGE ACROSS THE PANEL OPENING.

