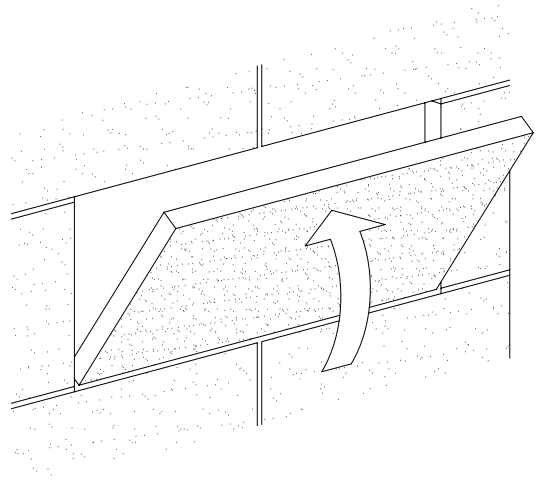


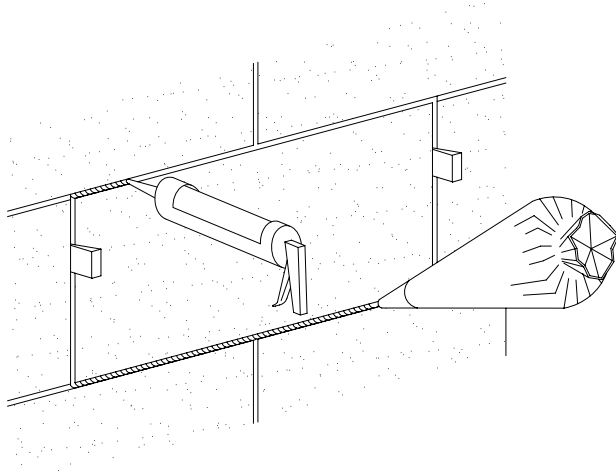
# REPLACEMENT OF PANEL

PLACE THE REPLACEMENT PANEL ONTO THE EXISTING LOWER ANCHOR, ENGAGING THE FLANGE IN THE KERF AT THE BOTTOM OF THE PANEL. ROTATE INTO PLACE.



USE TEMPORARY SHIMS OR WEDGES IN THE VERTICAL JOINTS TO POSITION THE PANEL.

WITH THE TEMPORARY SHIMS/WEDGES STILL IN PLACE, APPLY NEW GROUT OR SILICONE TO THE PERIMETER JOINTS, EXCEPT AT THE SHIMS/WEDGES.



ONCE THE JOINTING MATERIAL HAS SET AND IS STABLE, REMOVE THE SHIMS/WEDGES AND FILL THE OPEN AREAS WITH GROUT OR SEALANT.

