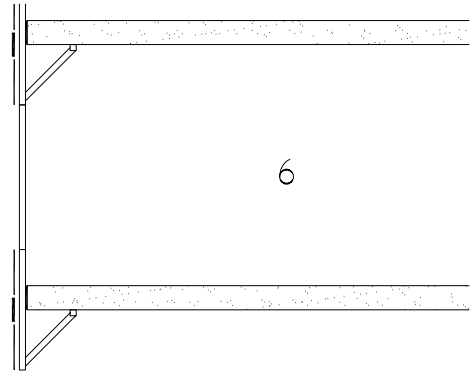
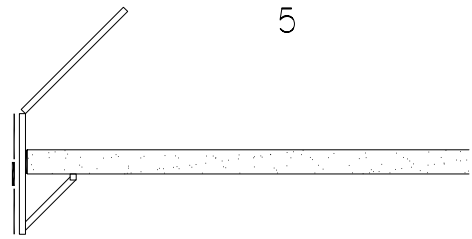


SUMMARY - ENGINEERED AND DESIGNED SYSTEM IS ASSEMBLED PER EACH PROJECT REQUIREMENT. LIGHT GAGE STEEL STIFFBACK FRAMING WITH 20 GAGE FACE PAN, PREVENTS WATER PENETRATION. INTEGRATED GLAZING SYSTEM, RESULTS IN MINIMAL EXTERIOR ERECTION AND FINISH, AND ELIMINATES SCAFFOLDING REQUIREMENTS.

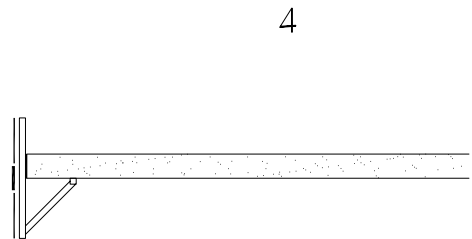
6 AFTER JOINTS ARE SEALED, THE COMPLETE CURTAIN WALL SYSTEM IS READY FOR INTERIOR FINISHES.



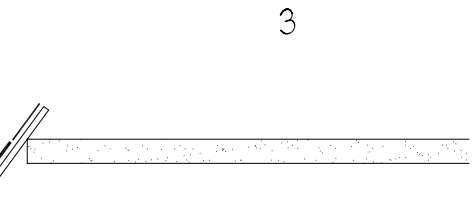
5 GLAZING UNIT IS ASSEMBLED AND ROTATED INTO POSITION BETWEEN SPANDREL PANELS.



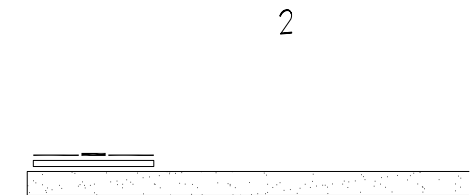
4 KICKERS ARE THEN ADDED FOR PROPER BRACING AND STRUCTURAL STABILITY.



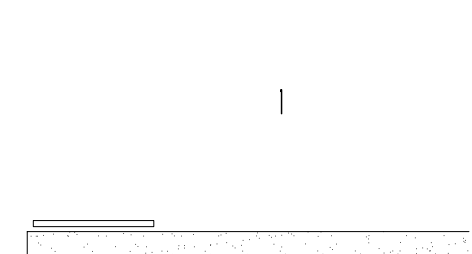
3 STIFFBACK FRAME IS ROTATED OVER SLAB EDGES WITH HOIST CABLES AND ANCHORED INTO FINAL POSITION.



2 STONE PANELS MAY BE APPLIED PRIOR TO ROTATION AND ERECTION.



1 PREFABRICATED LIGHT GAGE STIFFBACK FRAMES DELIVERED TO JOB SITE AND STAGED AT FLOOR LEVELS.



AMERICAN LIMESTONE COMPANY
 A TEXAS CORPORATION
 WWW.AMERICANLIMESTONE.COM
 INFO@AMERICANLIMESTONE.COM



7502 GREENVILLE AVE.
 SUITE 800
 DALLAS, TEXAS
 75231 USA
 TEL. (972) 437-4200
 FAX (972) 437-4562

JOB				JOB NO.	
SUBJECT				SHEET NO.	
SUMMARY OF CURTAIN WALL ERECTION				A	
BY	DATE	CHKD. BY	DATE	OF SHTS.	
	03-03-04		03-03-04		