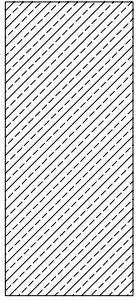
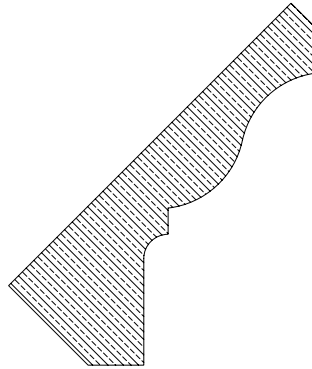


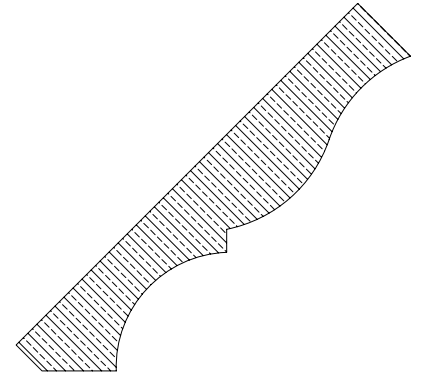
STANDARD MOLDINGS AND CARVINGS



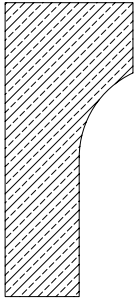
PROFILE 220-T



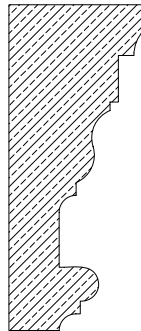
PROFILE 301-T



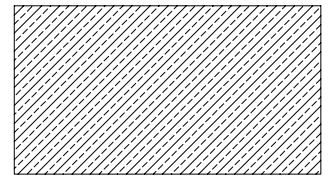
PROFILE 310-T



PROFILE 320-T



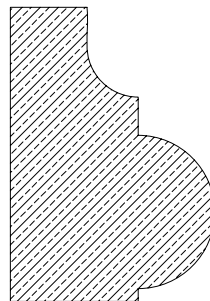
PROFILE 321-T



PROFILE 323-T



PROFILE 330-T
ONE SIDE COULD BE SPLIT
IN LIEU OF SMOOTH

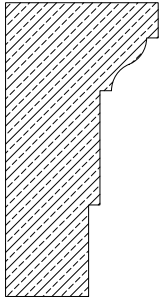


PROFILE 401-T



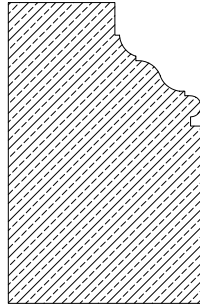
PROFILE 402-T

PAGE 2.4.11



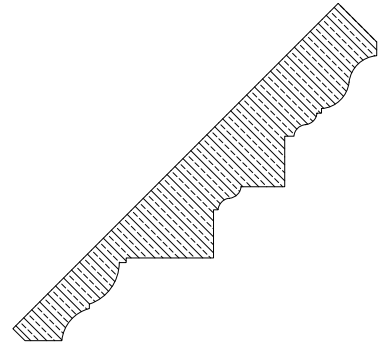
PROFILE 201-I

PAGE 2.4.12



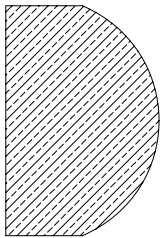
PROFILE 801-I

PAGE 2.4.13



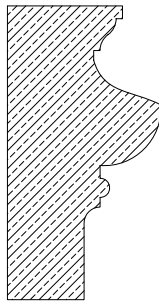
PROFILE 810-I

PAGE 2.4.14



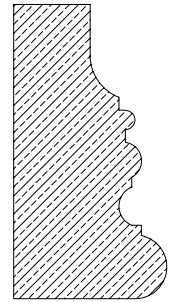
PROFILE 820-I

PAGE 2.4.15



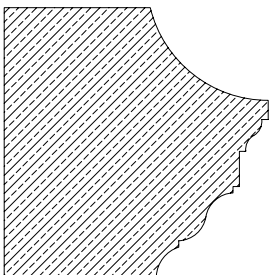
PROFILE 830-I

PAGE 2.4.16



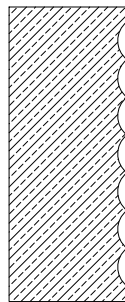
PROFILE 840-I

PAGE 2.4.17



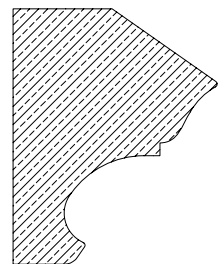
PROFILE 850-I

PAGE 2.4.18



PROFILE 880-I

PAGE 2.4.19



PROFILE 701-G

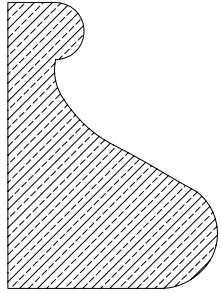
AMERICAN LIMESTONE COMPANY

A TEXAS CORPORATION
WWW.AMERICANLIMESTONE.COM
INFO@AMERICANLIMESTONE.COM

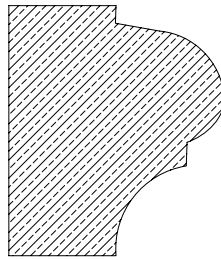
STANDARD AMERICAN LIMESTONE PROFILES

SCALE: NTS

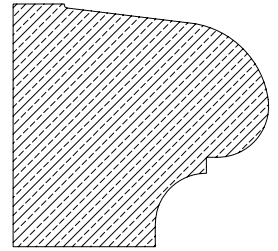
2.4.1A



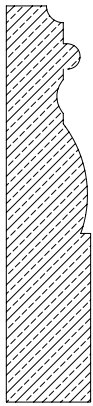
PROFILE 702-G



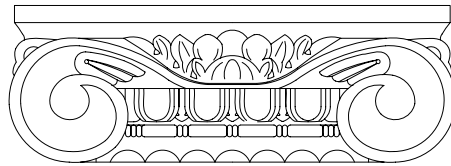
PROFILE 230-M



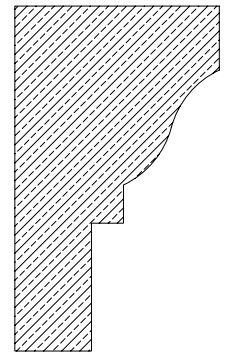
PROFILE 250-M



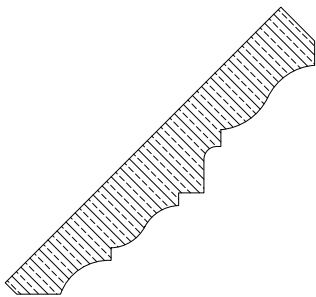
PROFILE 901-M



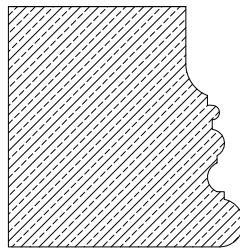
CARVING 890-I



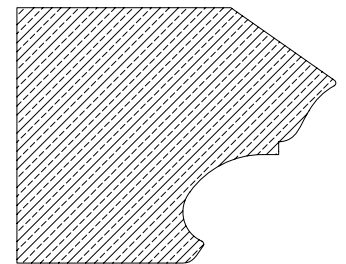
PROFILE 906-M



PROFILE 907-M



PROFILE 840-B
BRICK COMPATIBLE



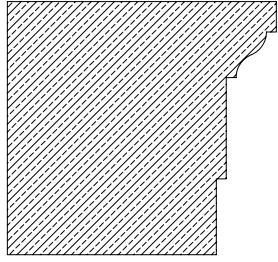
PROFILE 701-B
BRICK COMPATIBLE

AMERICAN LIMESTONE COMPANY
A TEXAS CORPORATION
WWW.AMERICANLIMESTONE.COM
INFO@AMERICANLIMESTONE.COM

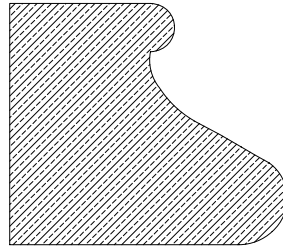
STANDARD AMERICAN LIMESTONE PROFILES

SCALE: NTS

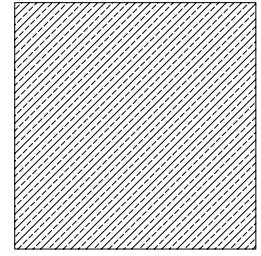
2.4.1B



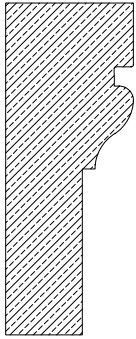
PROFILE 201-B
BRICK COMPATIBLE



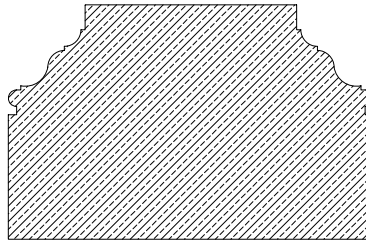
PROFILE 702-B
BRICK COMPATIBLE



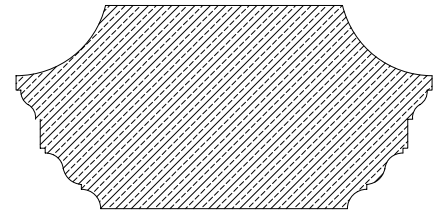
PROFILE 220-B
BRICK COMPATIBLE



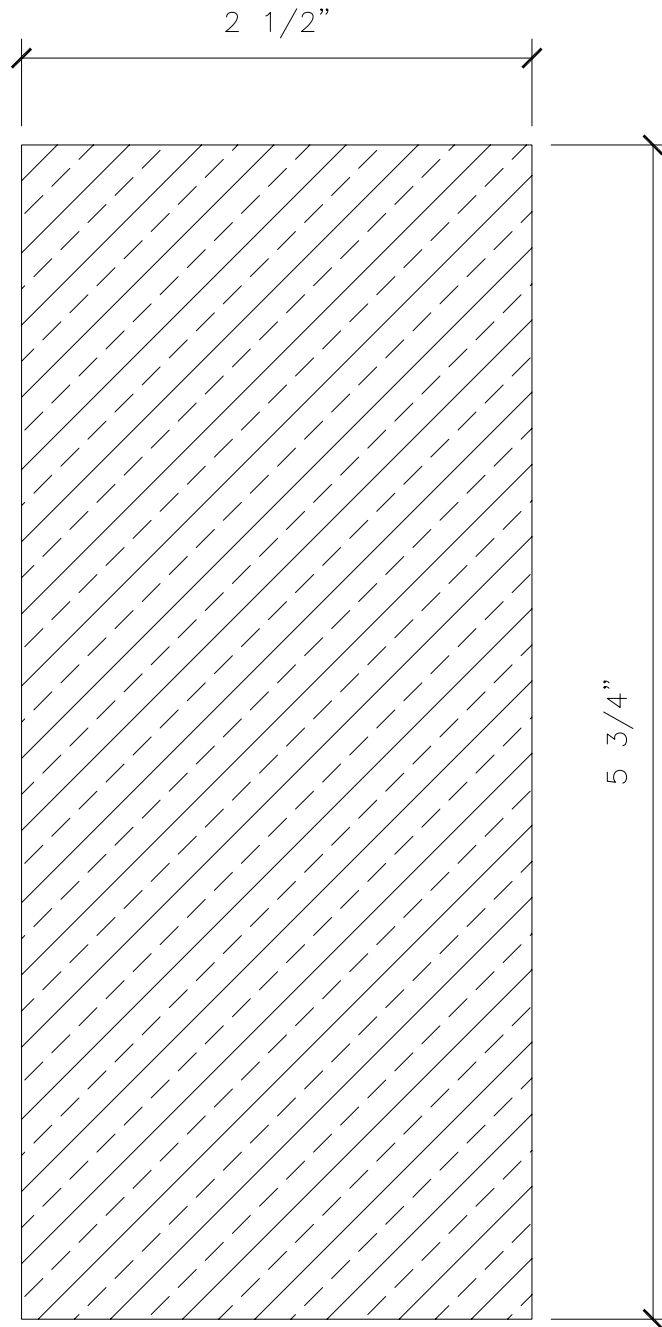
PROFILE 202-M



PROFILE 801-BR



PROFILE 850-HRC



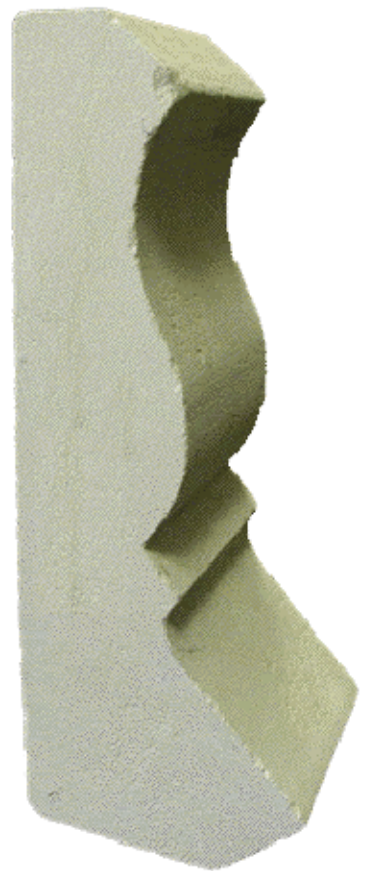
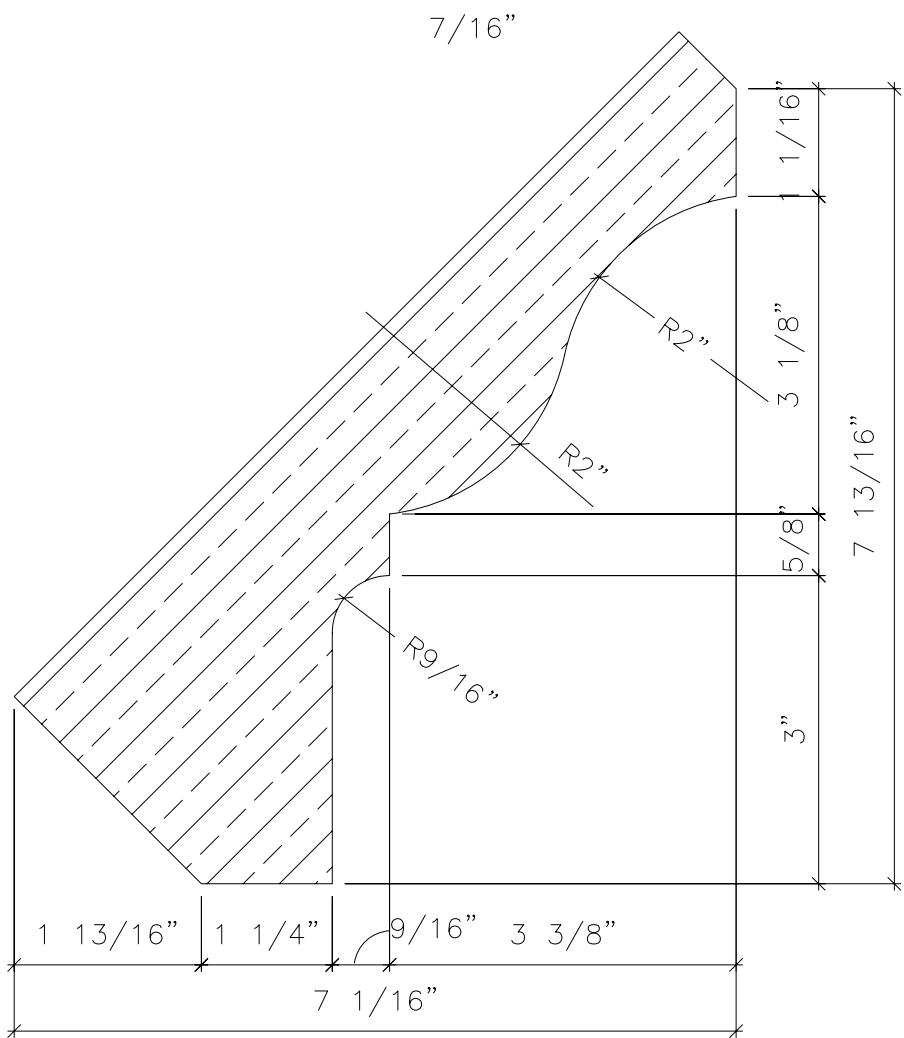
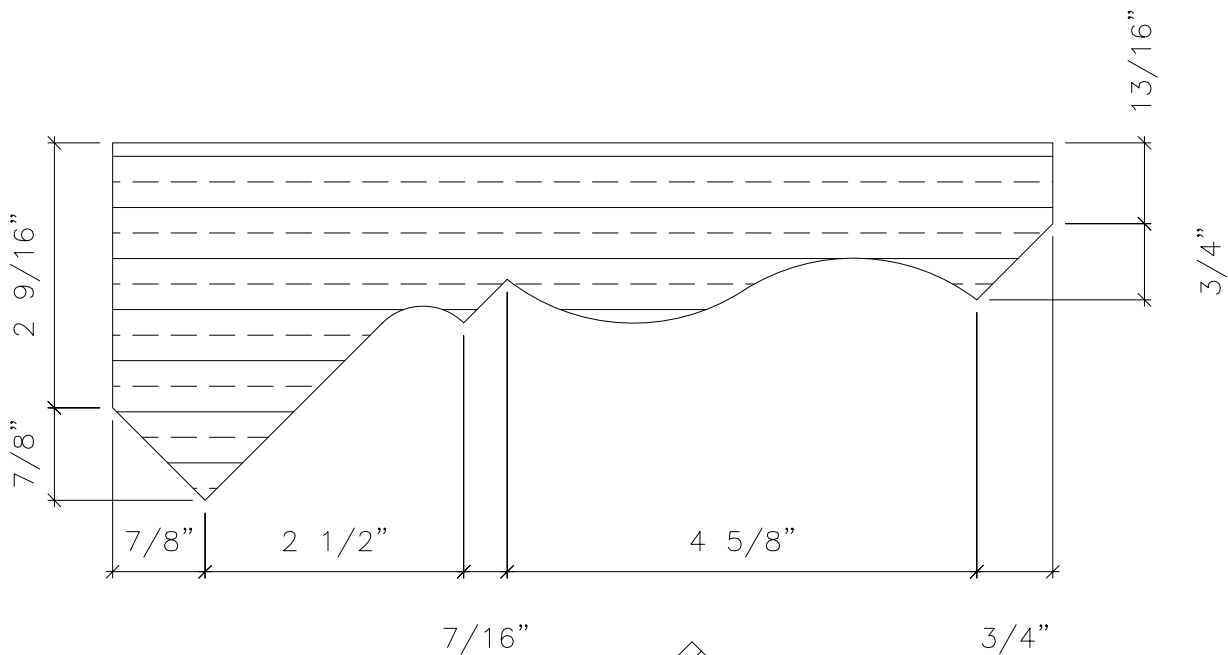
1 PROFILE 220-T

SCALE: NTS

AMERICAN LIMESTONE COMPANY
 A TEXAS CORPORATION
 WWW.AMERICANLIMESTONE.COM
 INFO@AMERICANLIMESTONE.COM

PROFILE 220-T TUSCAN

2.4.2



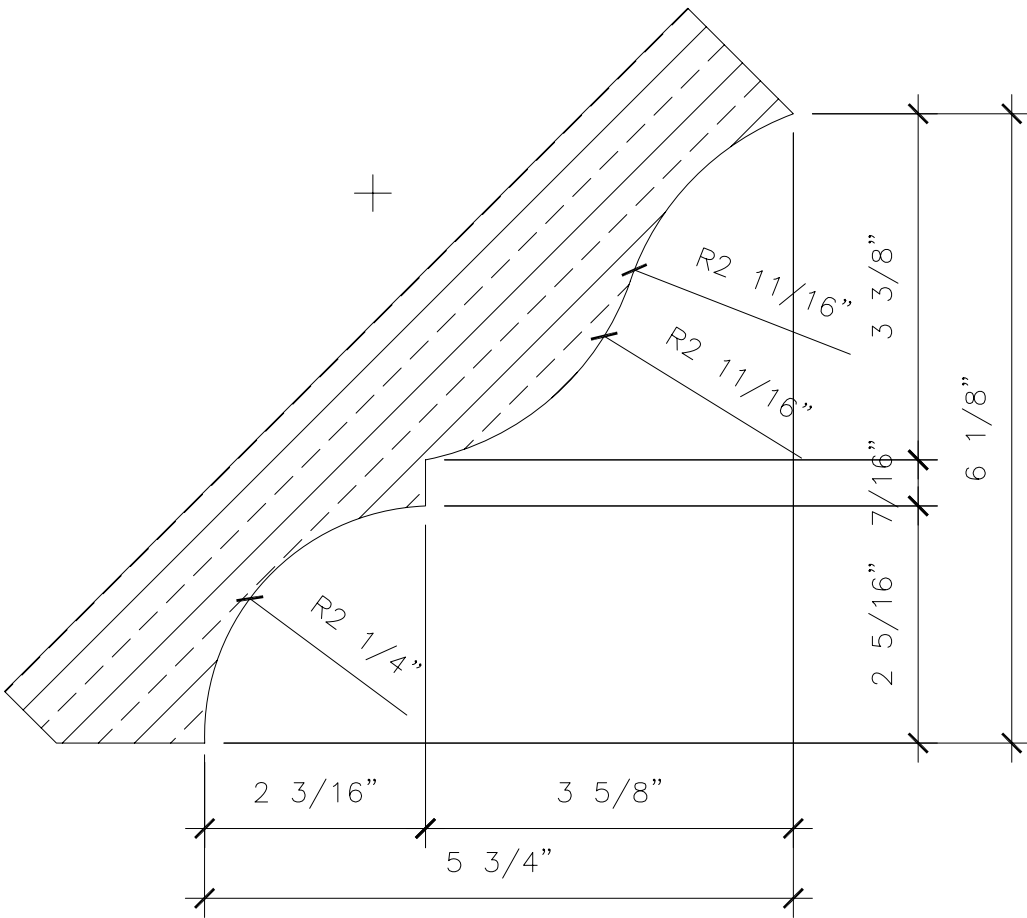
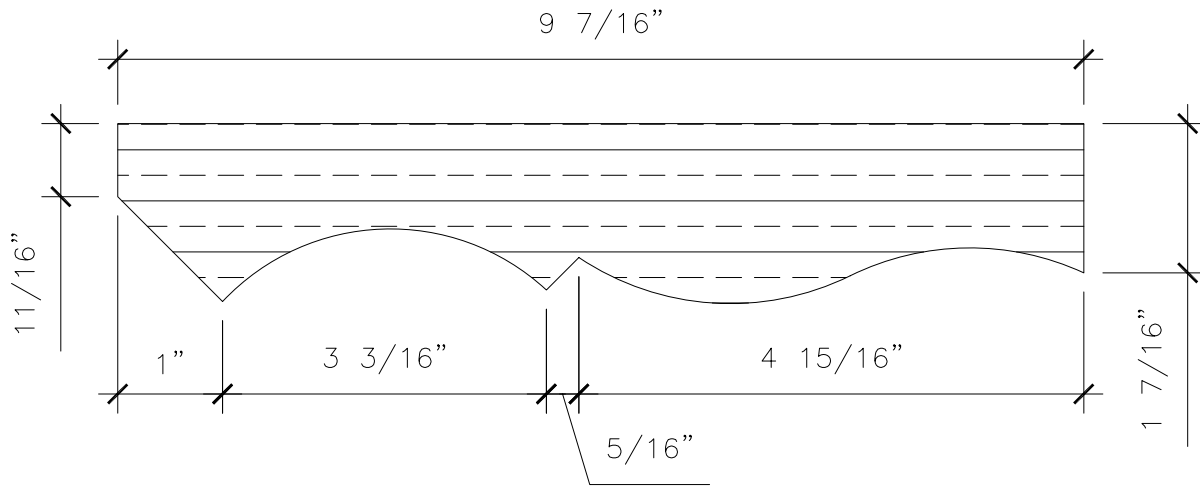
1 PROFILE 301-T

SCALE: NTS

AMERICAN LIMESTONE COMPANY
A TEXAS CORPORATION
WWW.AMERICANLIMESTONE.COM
INFO@AMERICANLIMESTONE.COM

PROFILE 301-T TUSCAN

2.4.3



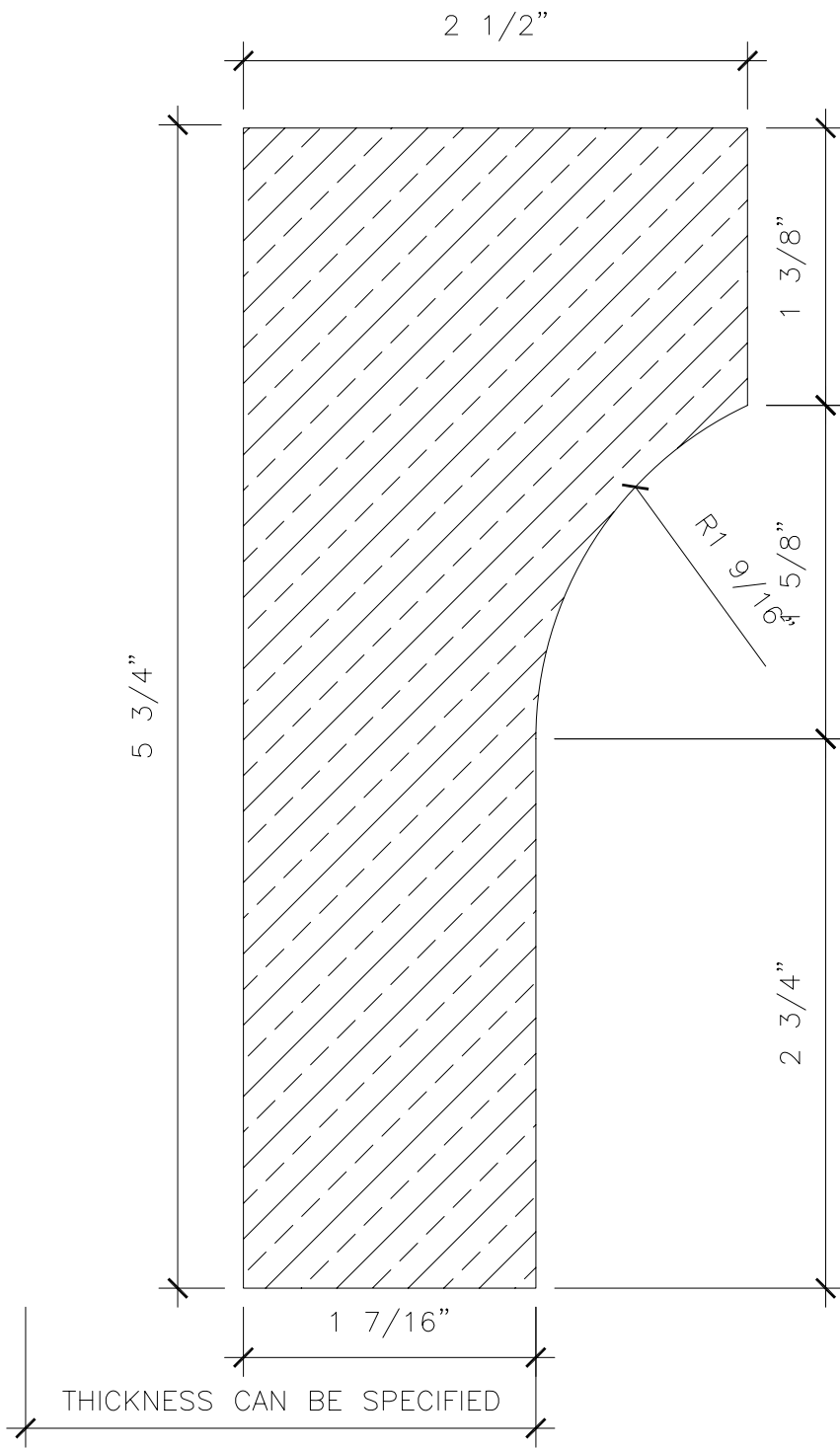
1 PROFILE 310-T

SCALE: NTS

AMERICAN LIMESTONE COMPANY
 A TEXAS CORPORATION
 WWW.AMERICANLIMESTONE.COM
 INFO@AMERICANLIMESTONE.COM

PROFILE 310-T TUSCAN

2.4.4



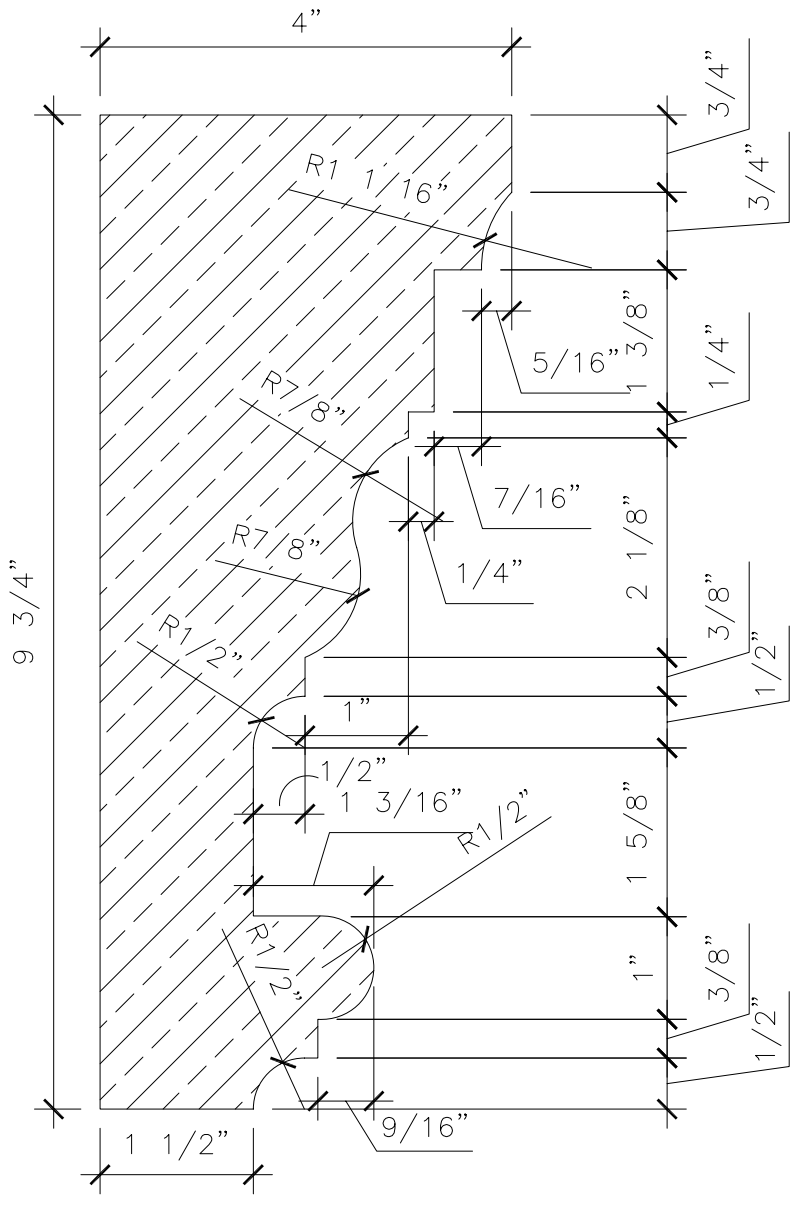
1 PROFILE 320-T

SCALE: NTS

AMERICAN LIMESTONE COMPANY
 A TEXAS CORPORATION
 WWW.AMERICANLIMESTONE.COM
 INFO@AMERICANLIMESTONE.COM

PROFILE 320-T TUSCAN

2.4.5



1 PROFILE 321-T



SCALE: NTS

AMERICAN LIMESTONE COMPANY
 A TEXAS CORPORATION
 WWW.AMERICANLIMESTONE.COM
 INFO@AMERICANLIMESTONE.COM

PROFILE 321-T TUSCAN

2.4.6



FOR: PILASTER - 6" DEEP - 1'-9 3/8" LONG
 COLUMN - 1'-9 3/8" SQUARE

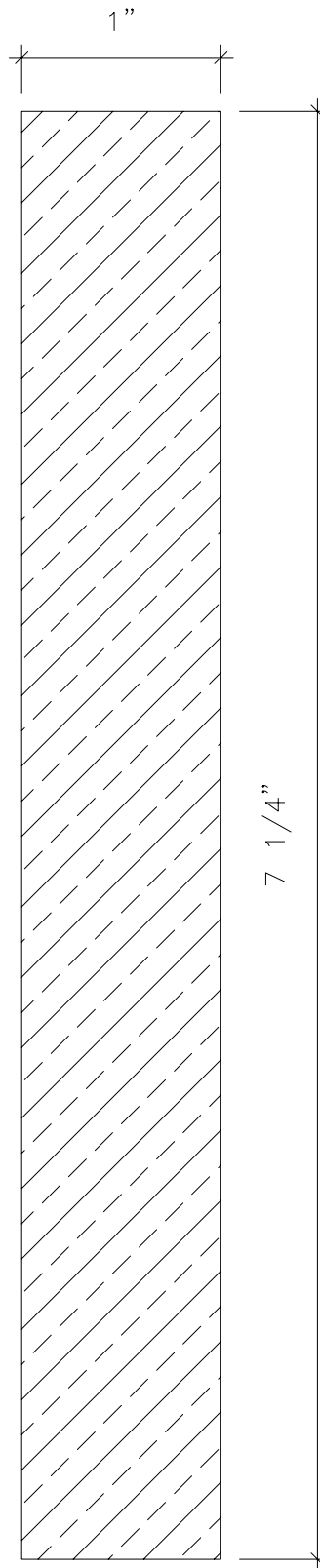
① PROFILE 323-T

SCALE: NTS

AMERICAN LIMESTONE COMPANY
 A TEXAS CORPORATION
 WWW.AMERICANLIMESTONE.COM
 INFO@AMERICANLIMESTONE.COM

PROFILE 323-T TUSCAN

2.4.7



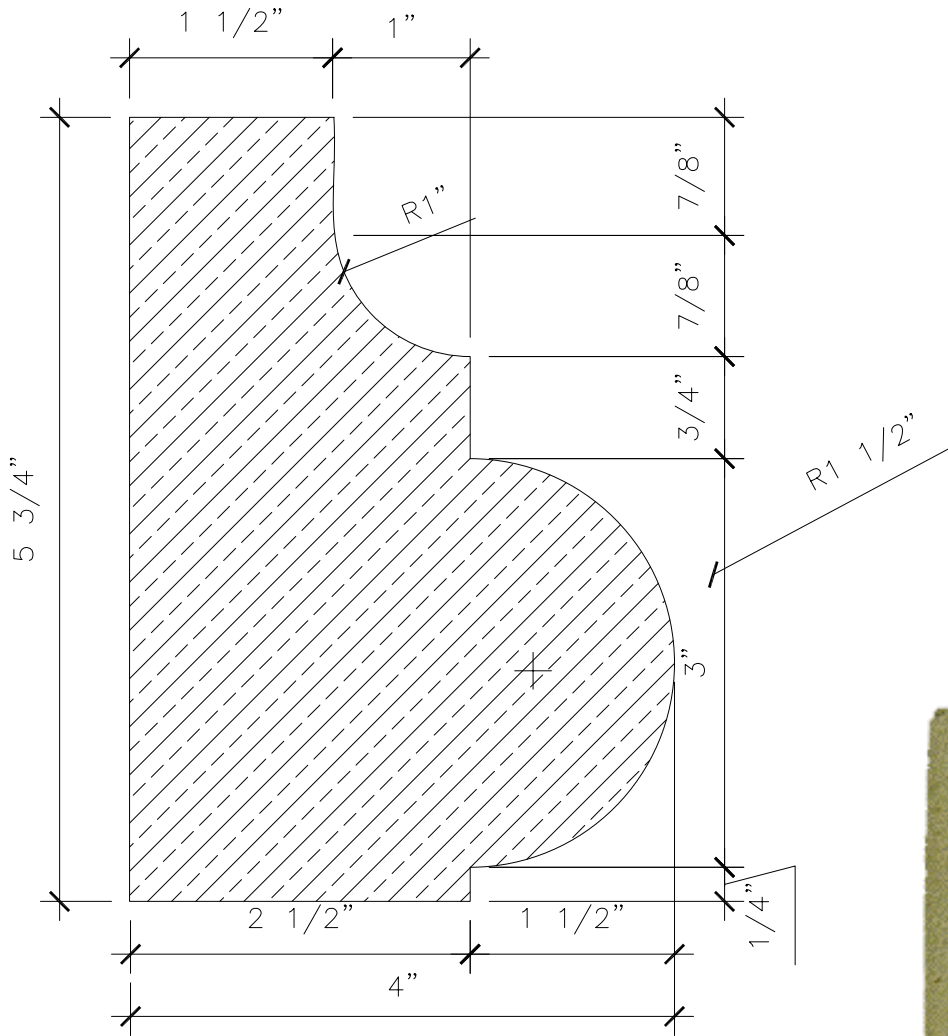
1 PROFILE 330-T
 ONE SIDE COULD BE SPLIT IN LIEU OF SMOOTH

SCALE: NTS

AMERICAN LIMESTONE COMPANY
 A TEXAS CORPORATION
 WWW.AMERICANLIMESTONE.COM
 INFO@AMERICANLIMESTONE.COM

PROFILE 330-T TUSCAN

2.4.8



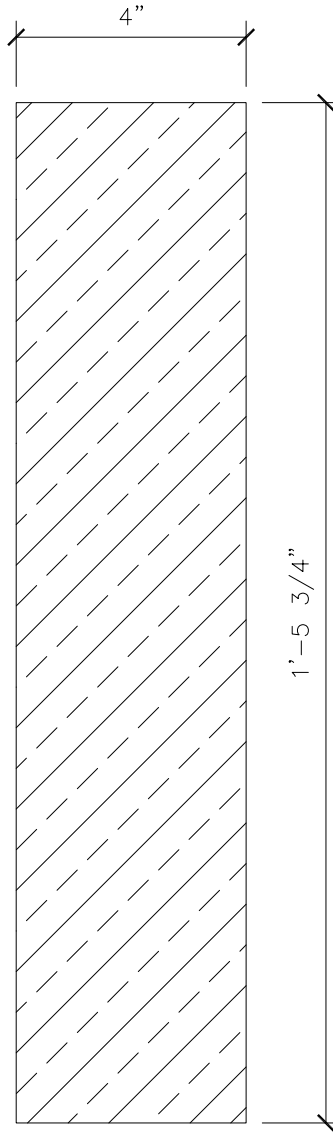
1 PROFILE 401-T

SCALE: NTS

AMERICAN LIMESTONE COMPANY
 A TEXAS CORPORATION
 WWW.AMERICANLIMESTONE.COM
 INFO@AMERICANLIMESTONE.COM

PROFILE 401-T TUSCAN

2.4.9



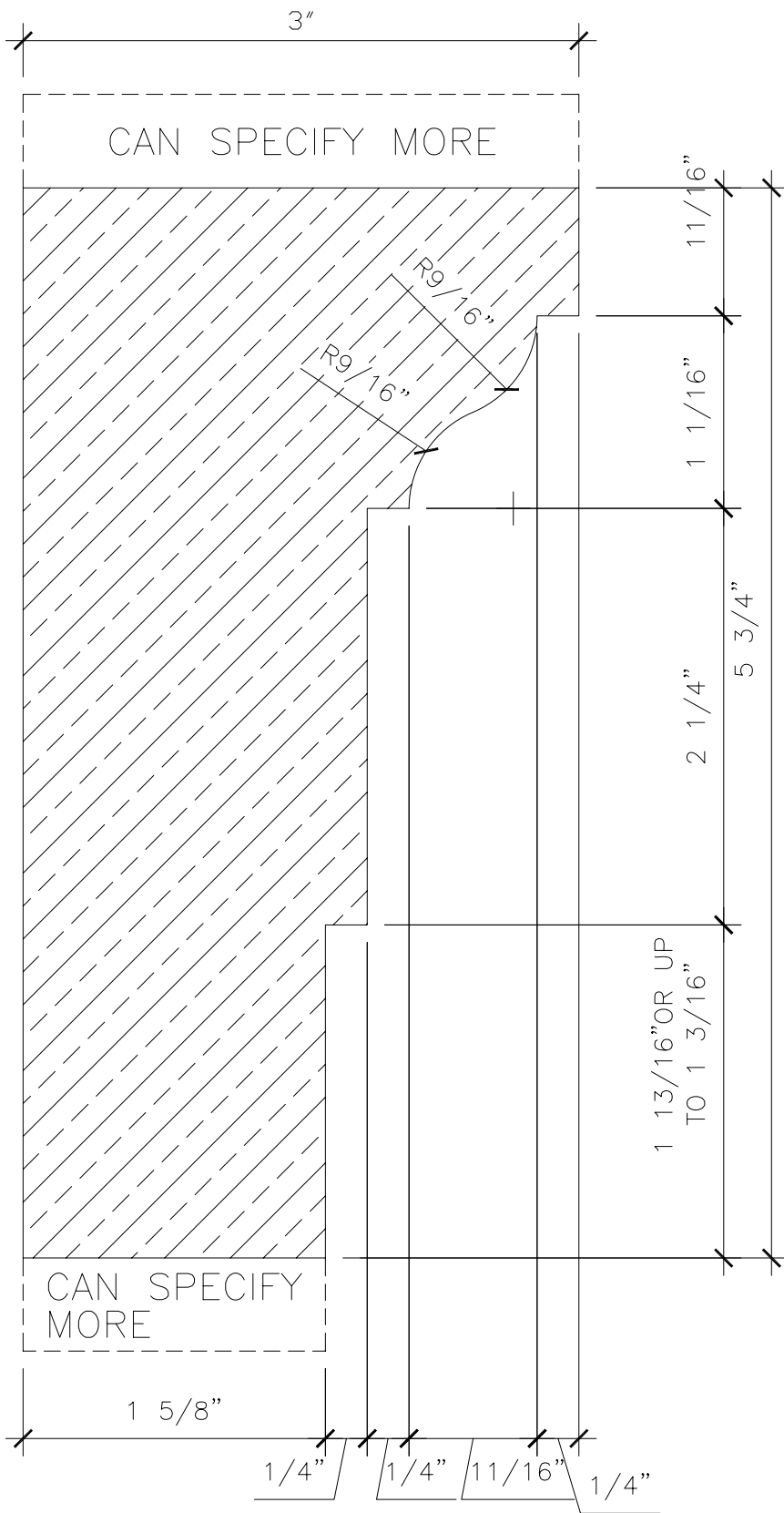
① PROFILE 402-T

SCALE: NTS

AMERICAN LIMESTONE COMPANY
 A TEXAS CORPORATION
 WWW.AMERICANLIMESTONE.COM
 INFO@AMERICANLIMESTONE.COM

PROFILE 402-T TUSCAN

2.4.10



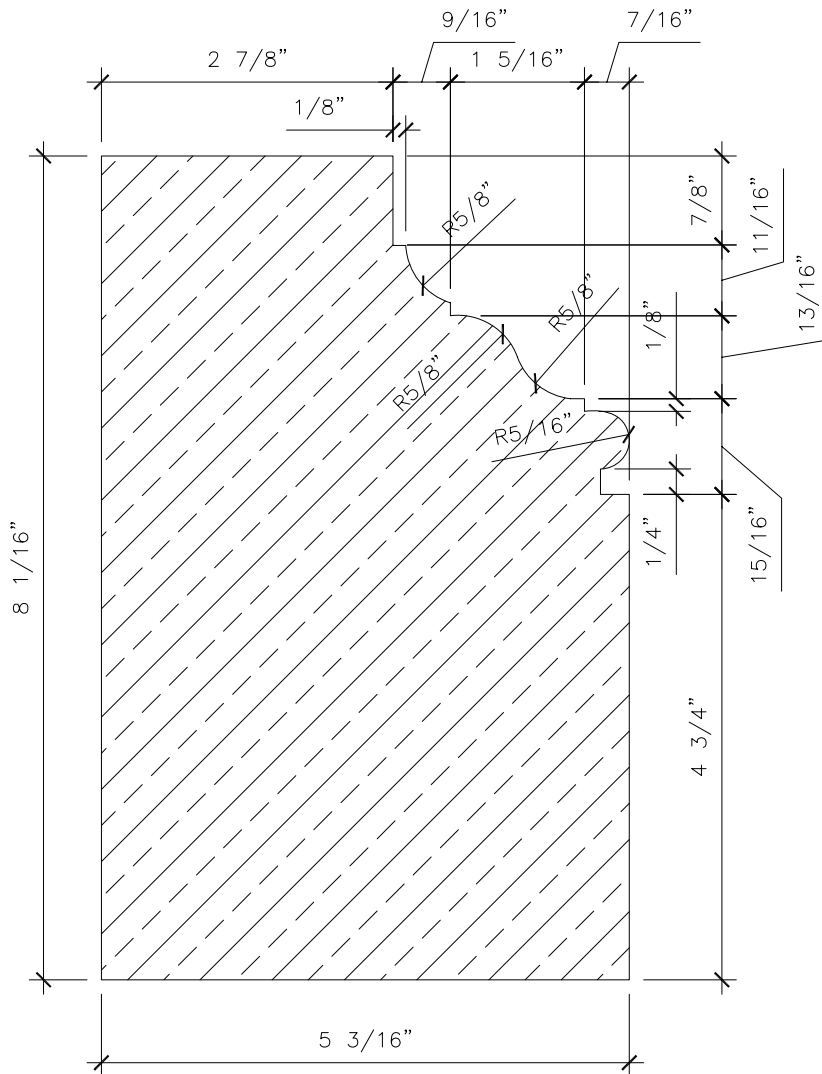
1 PROFILE 201-I

SCALE: NTS

AMERICAN LIMESTONE COMPANY
 A TEXAS CORPORATION
 WWW.AMERICANLIMESTONE.COM
 INFO@AMERICANLIMESTONE.COM

PROFILE 201-I IONIC

2.4.11



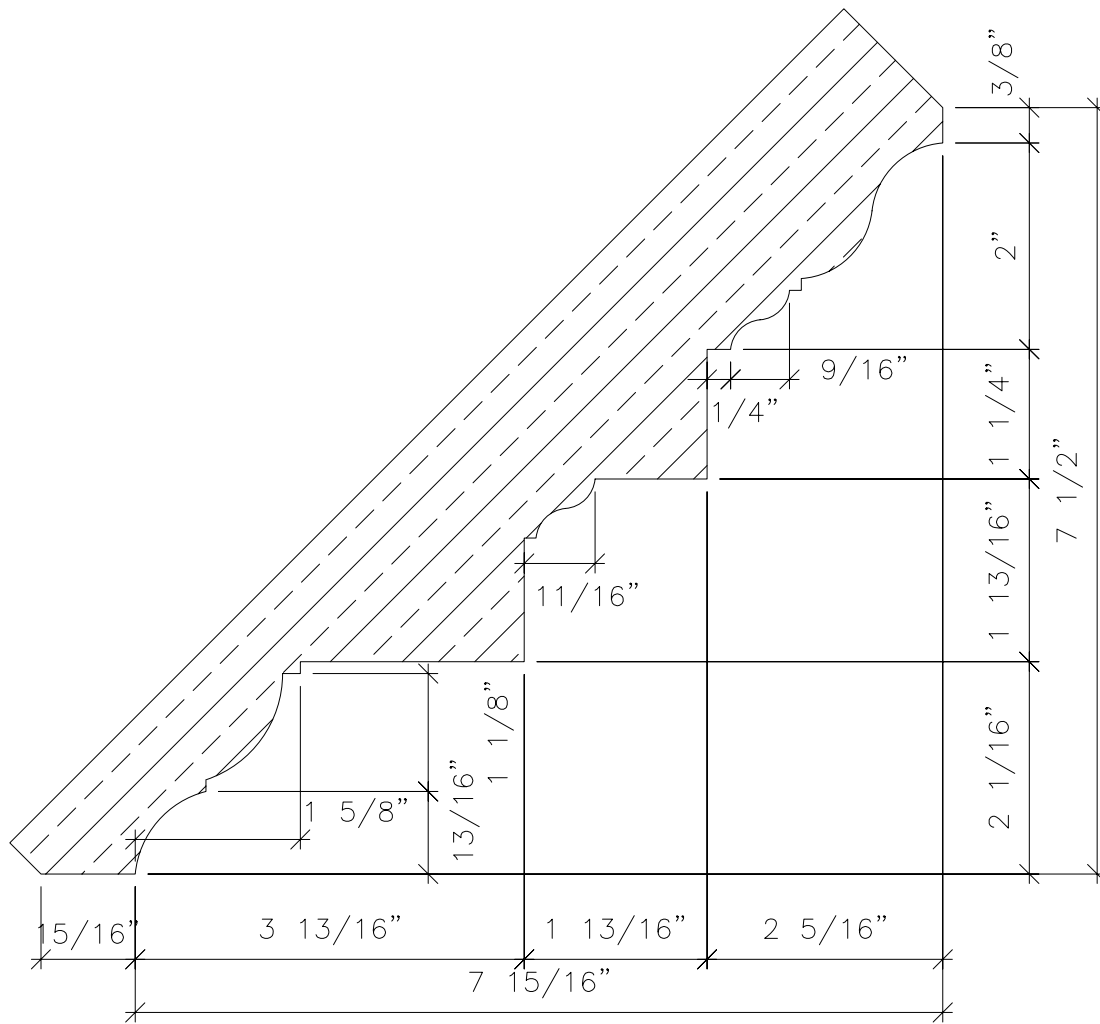
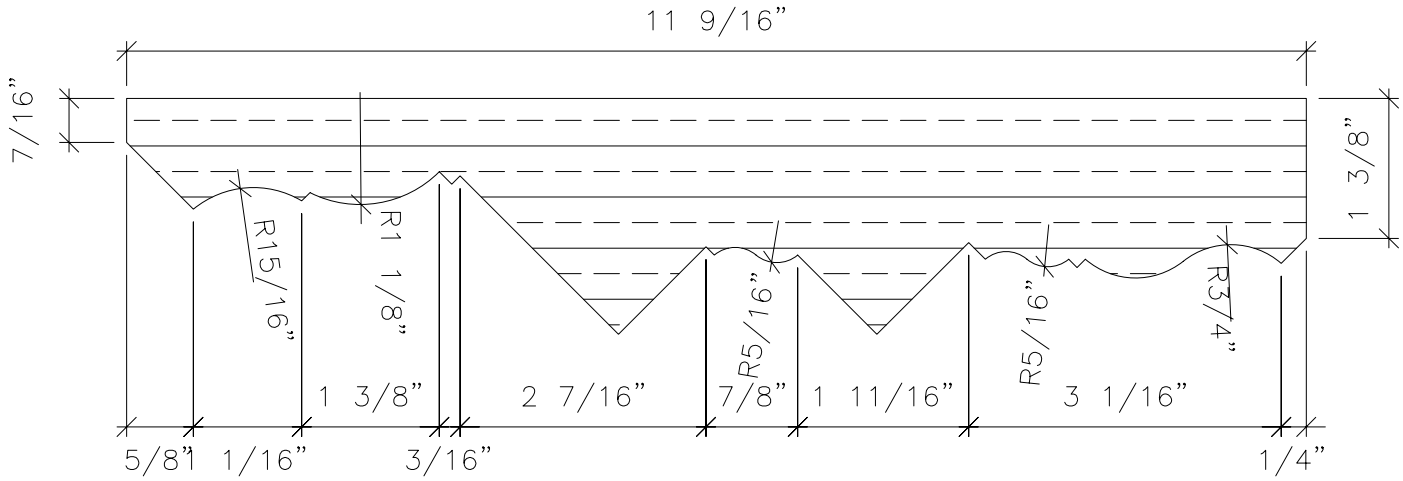
1 PROFILE 801-I

SCALE: NTS

AMERICAN LIMESTONE COMPANY
 A TEXAS CORPORATION
 WWW.AMERICANLIMESTONE.COM
 INFO@AMERICANLIMESTONE.COM

PROFILE 801-I IONIC

2.4.12



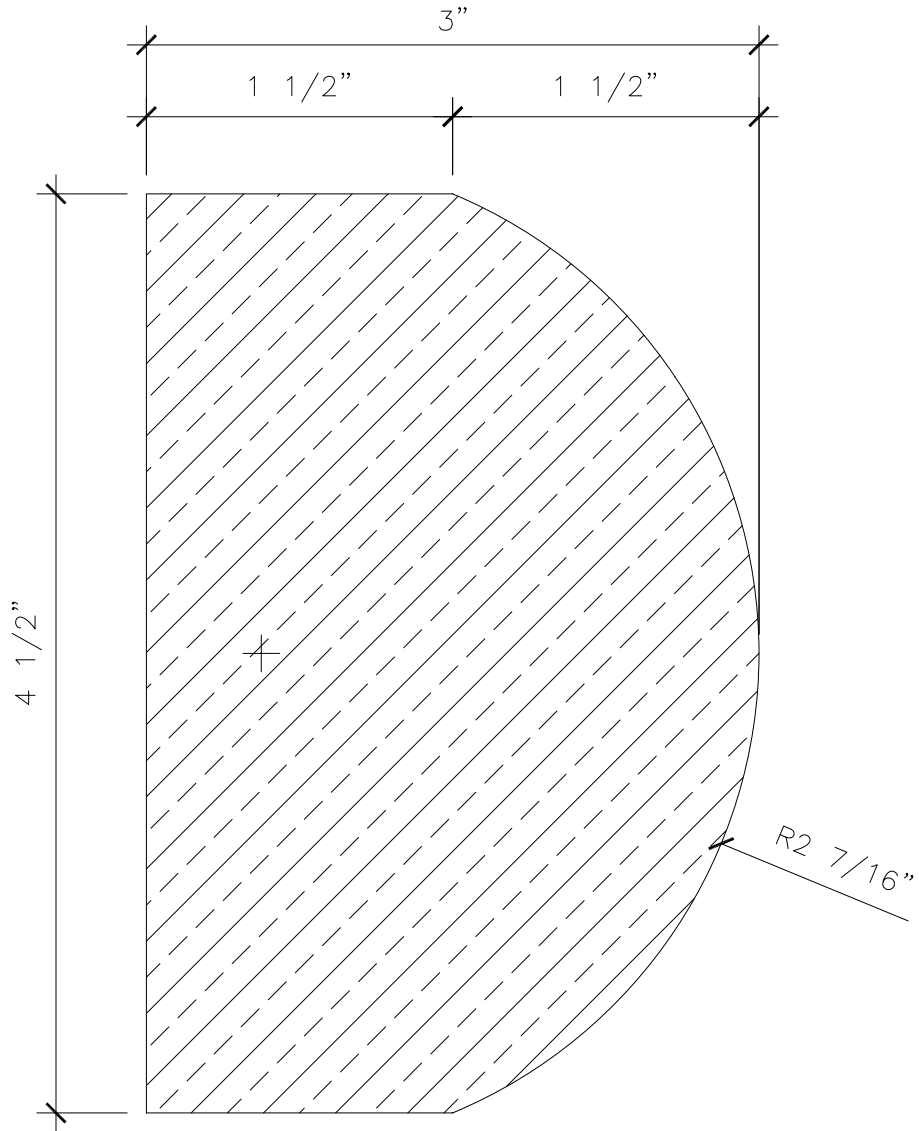
1 PROFILE 810-I

SCALE: NTS

AMERICAN LIMESTONE COMPANY
 A TEXAS CORPORATION
 WWW.AMERICANLIMESTONE.COM
 INFO@AMERICANLIMESTONE.COM

PROFILE 810-I IONIC

2.4.13



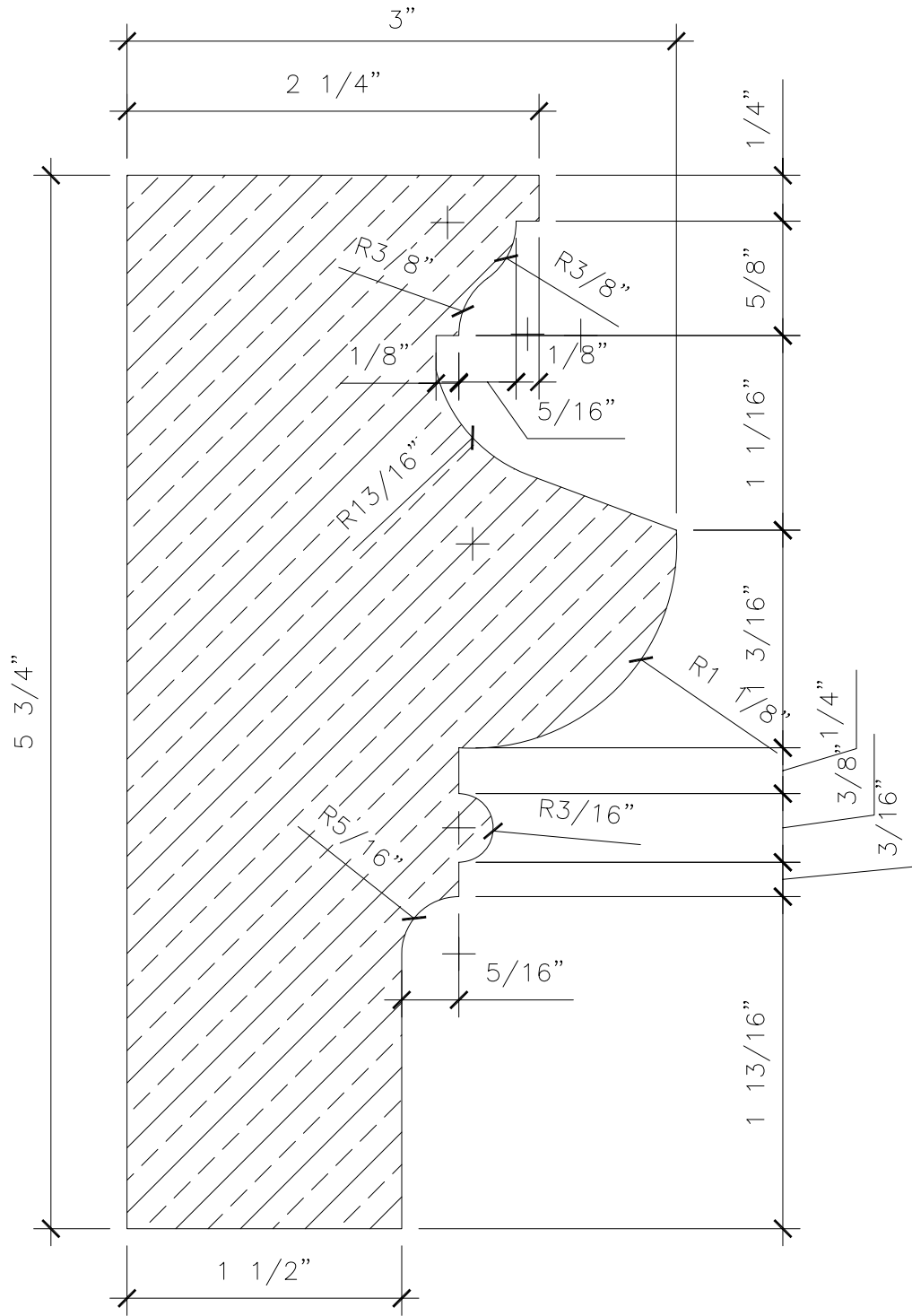
① PROFILE 820-1

SCALE: NTS

AMERICAN LIMESTONE COMPANY
 A TEXAS CORPORATION
 WWW.AMERICANLIMESTONE.COM
 INFO@AMERICANLIMESTONE.COM

PROFILE 820-1 IONIC

2.4.14



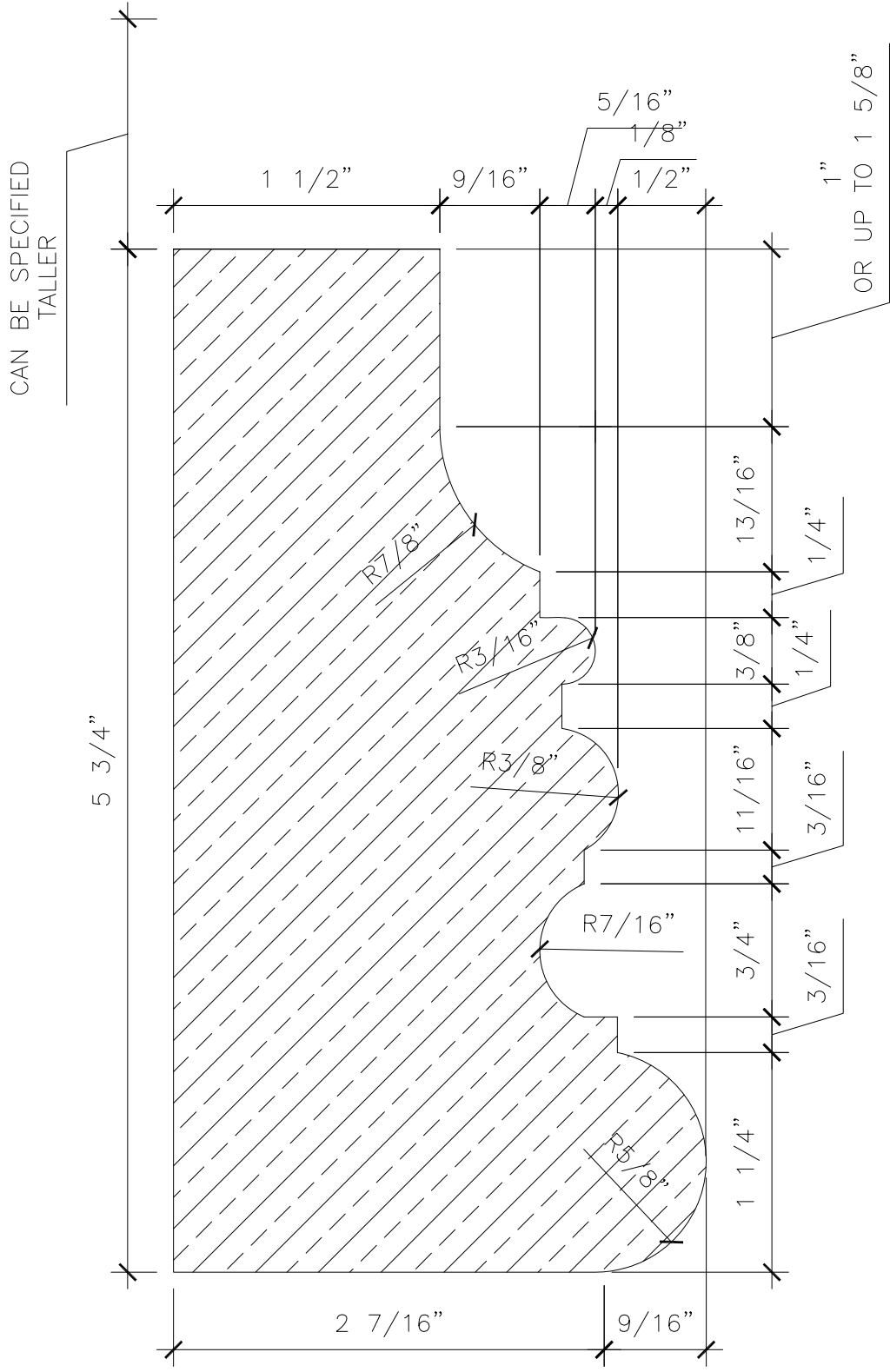
1 PROFILE 830-1

SCALE: NTS

AMERICAN LIMESTONE COMPANY
 A TEXAS CORPORATION
 WWW.AMERICANLIMESTONE.COM
 INFO@AMERICANLIMESTONE.COM

PROFILE 830-1 IONIC

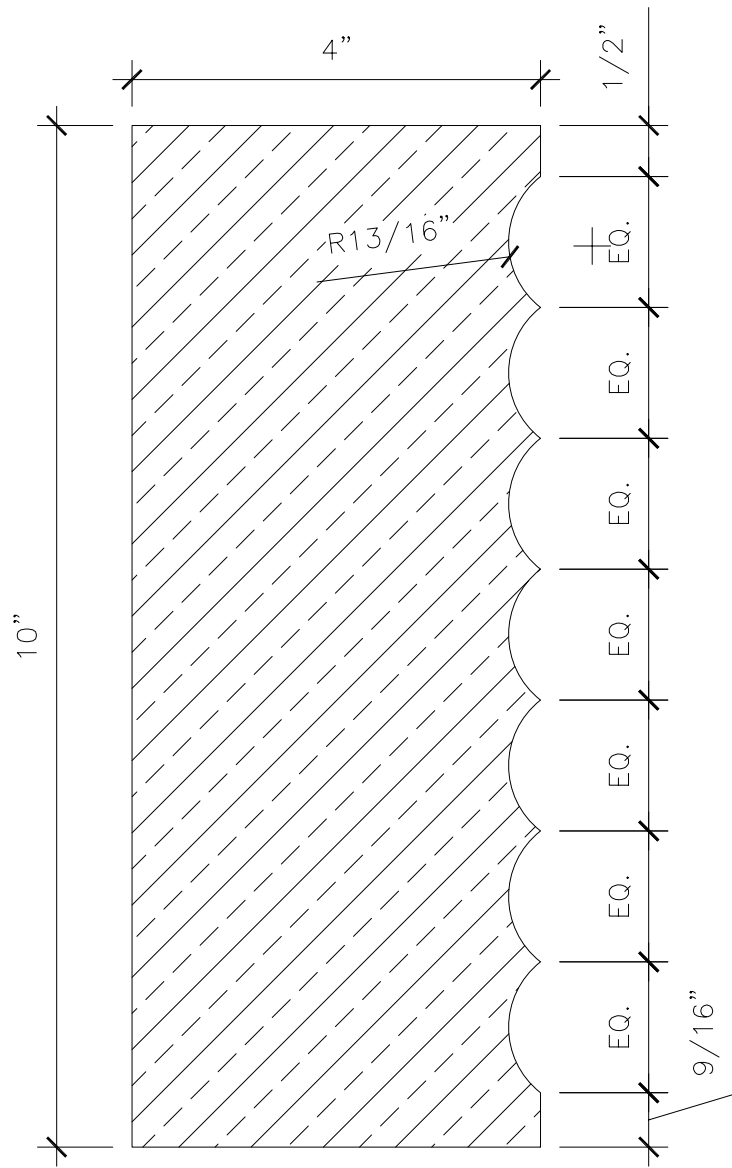
2.4.15



1 PROFILE 840-I

SCALE: NTS

<p>AMERICAN LIMESTONE COMPANY A TEXAS CORPORATION WWW.AMERICANLIMESTONE.COM INFO@AMERICANLIMESTONE.COM</p>	<p>PROFILE 840-I IONIC</p>	<p>2.4.16</p>
--	----------------------------	----------------------



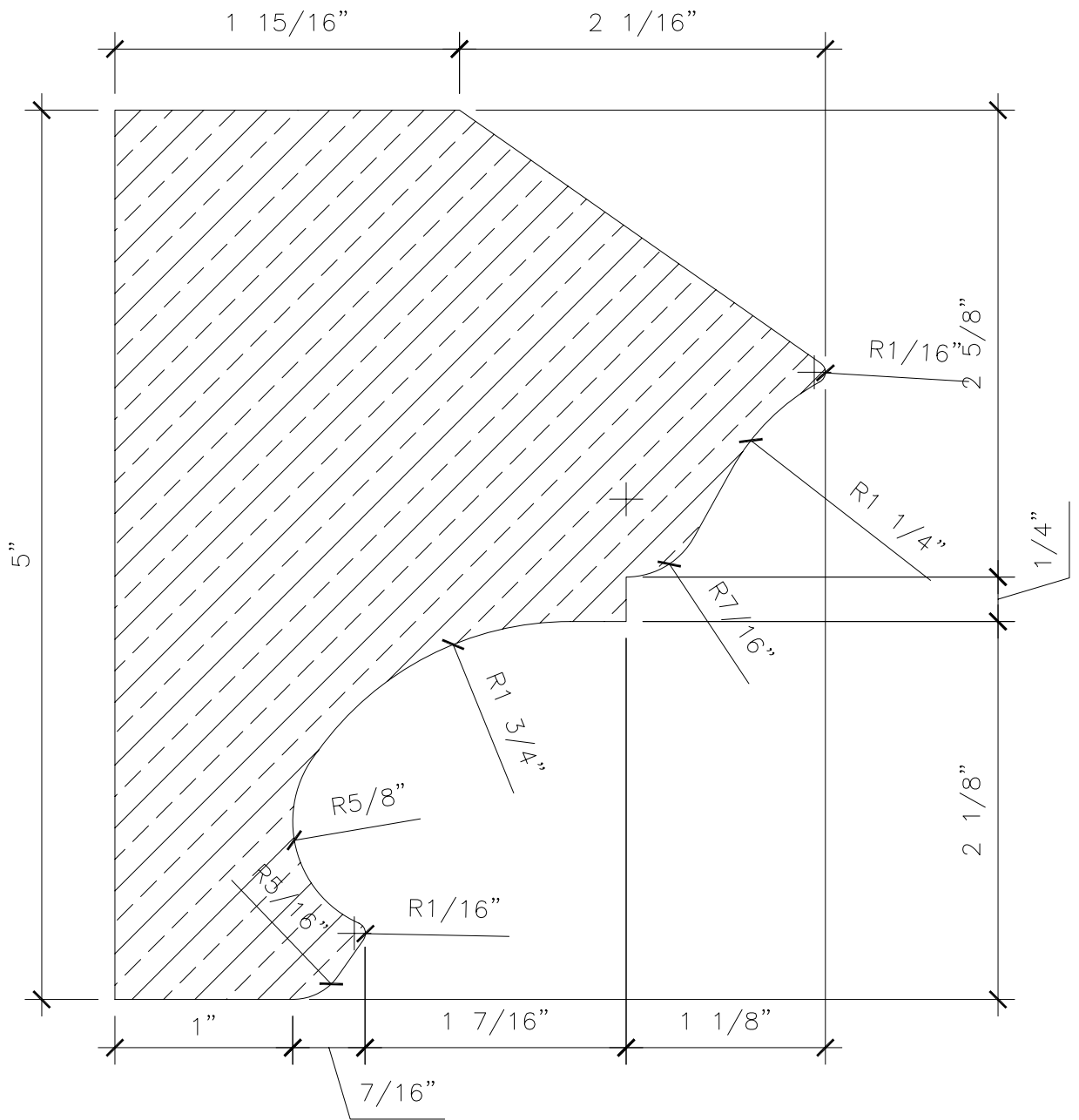
1 PROFILE 880-I FLUTED

SCALE: NTS

AMERICAN LIMESTONE COMPANY
 A TEXAS CORPORATION
 WWW.AMERICANLIMESTONE.COM
 INFO@AMERICANLIMESTONE.COM

PROFILE 880-I FLUTED IONIC

2.4.18



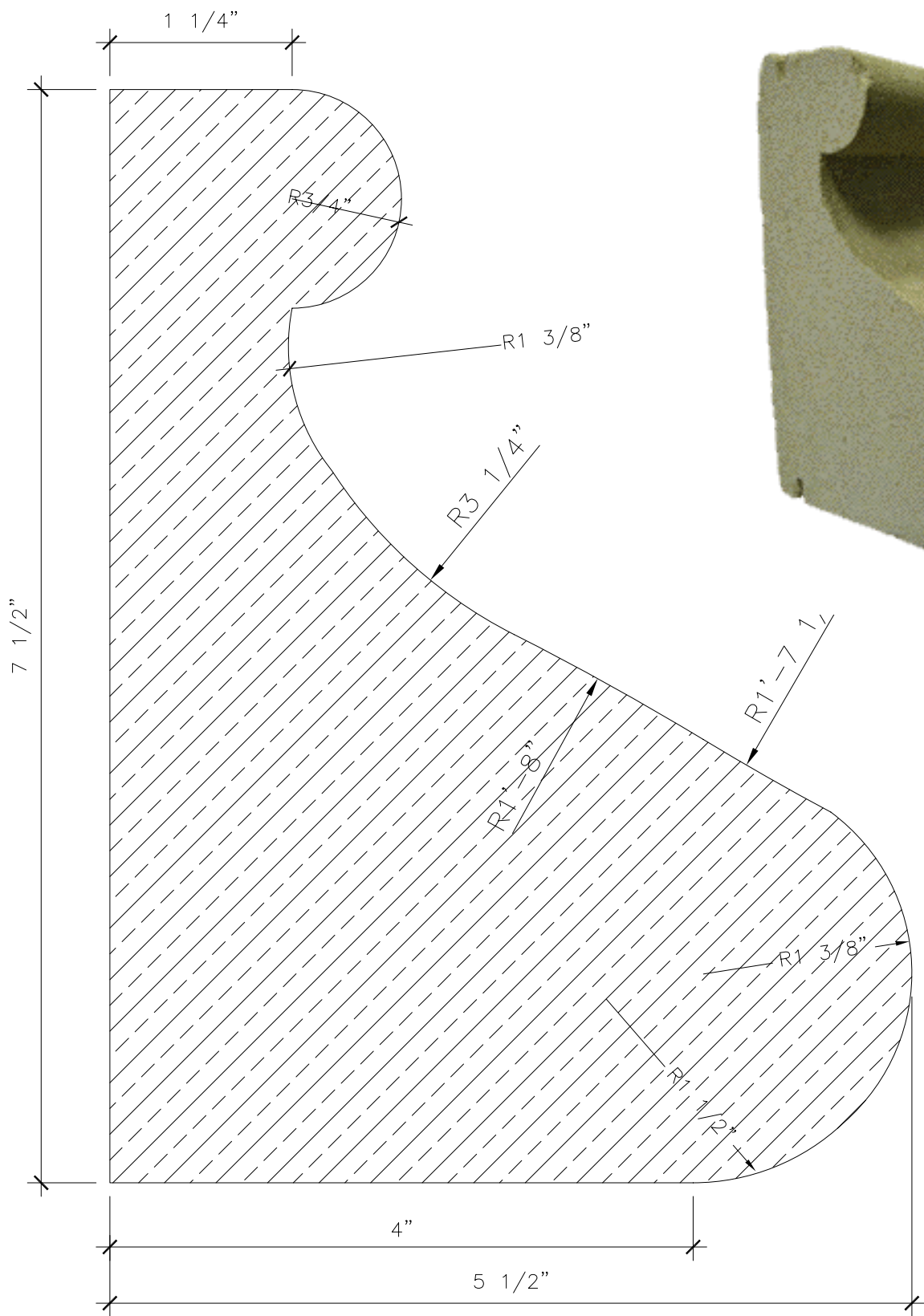
1 PROFILE 701-G

SCALE: NTS

AMERICAN LIMESTONE COMPANY
 A TEXAS CORPORATION
 WWW.AMERICANLIMESTONE.COM
 INFO@AMERICANLIMESTONE.COM

PROFILE 701-G GOTHIC

2.4.19



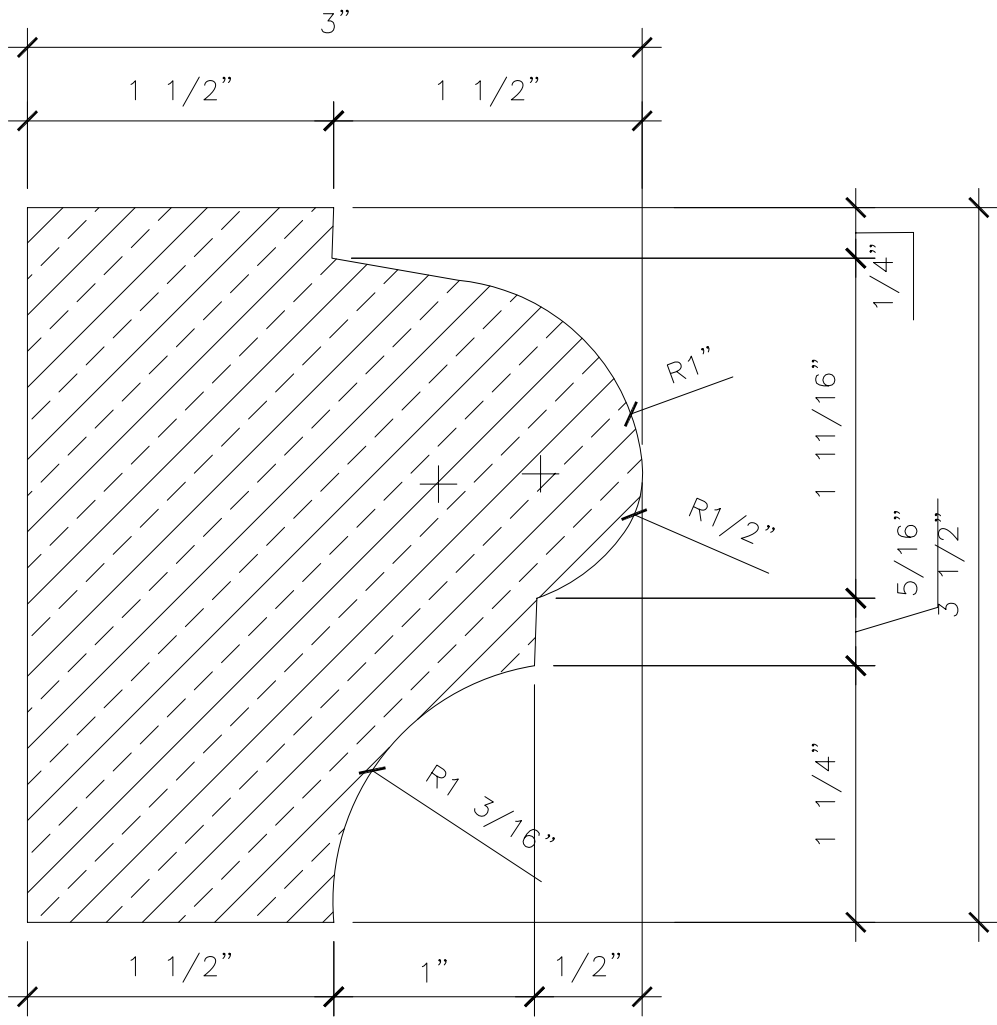
1 PROFILE 702-G

SCALE: NTS

AMERICAN LIMESTONE COMPANY
 A TEXAS CORPORATION
 WWW.AMERICANLIMESTONE.COM
 INFO@AMERICANLIMESTONE.COM

PROFILE 702-G GOTHIC

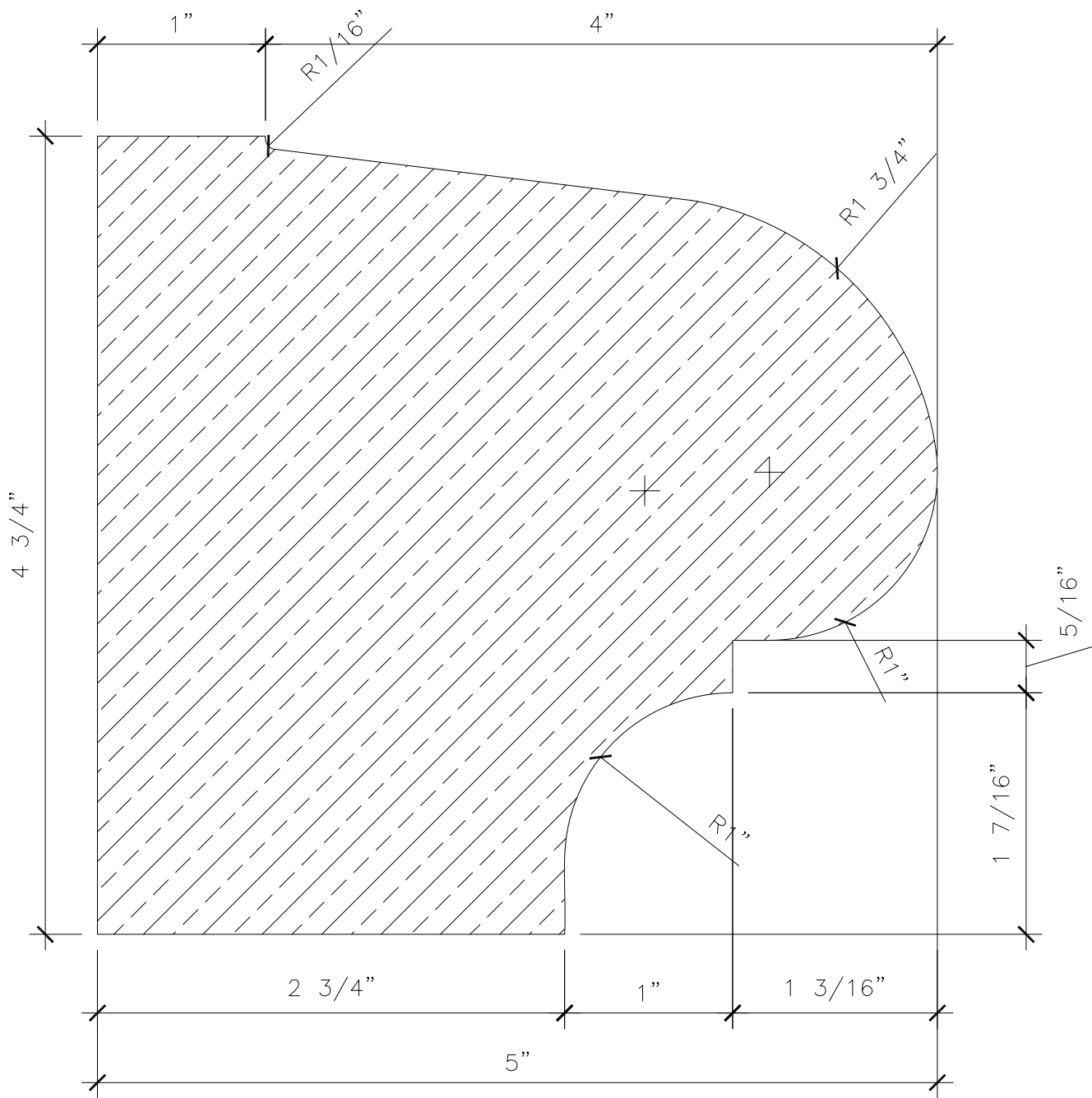
2.4.20



1 PROFILE 230-M

SCALE: NTS

<p>AMERICAN LIMESTONE COMPANY A TEXAS CORPORATION WWW.AMERICANLIMESTONE.COM INFO@AMERICANLIMESTONE.COM</p>	<p>PROFILE 230-M MISCELLANEOUS</p>	<p>2.4.21</p>
--	------------------------------------	----------------------



1 PROFILE 250-M

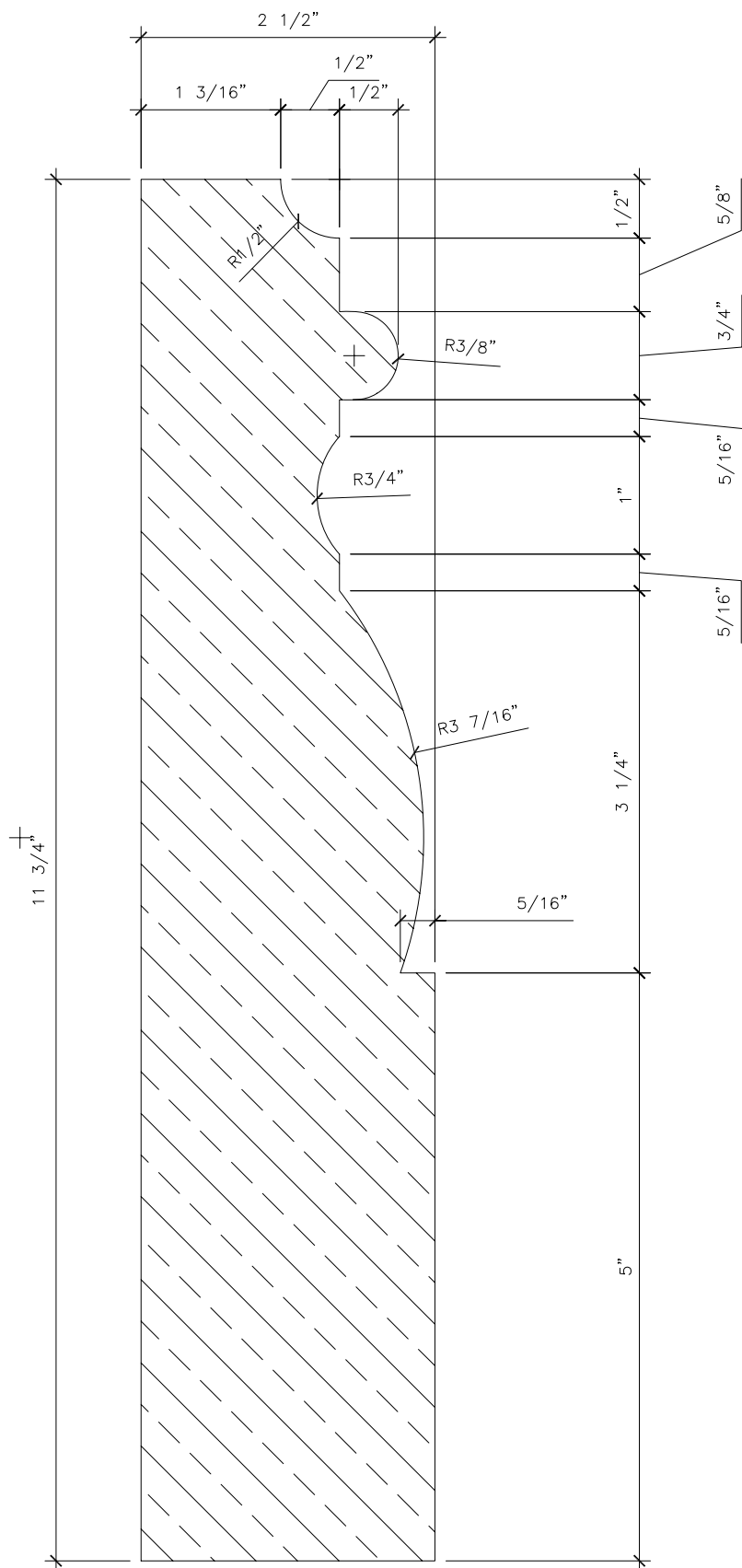


SCALE: NTS

AMERICAN LIMESTONE COMPANY
 A TEXAS CORPORATION
 WWW.AMERICANLIMESTONE.COM
 INFO@AMERICANLIMESTONE.COM

PROFILE 250-M MISCELLANEOUS

2.4.22



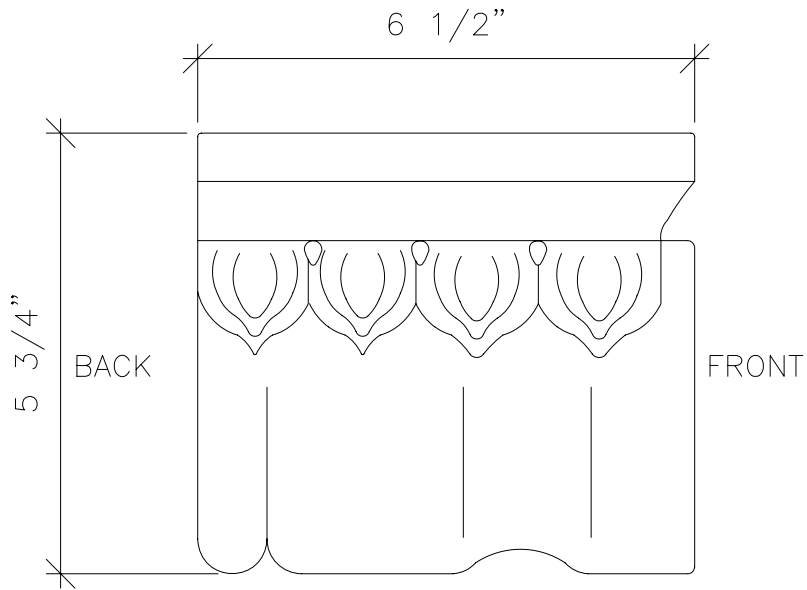
1 PROFILE 901-M

SCALE: NTS

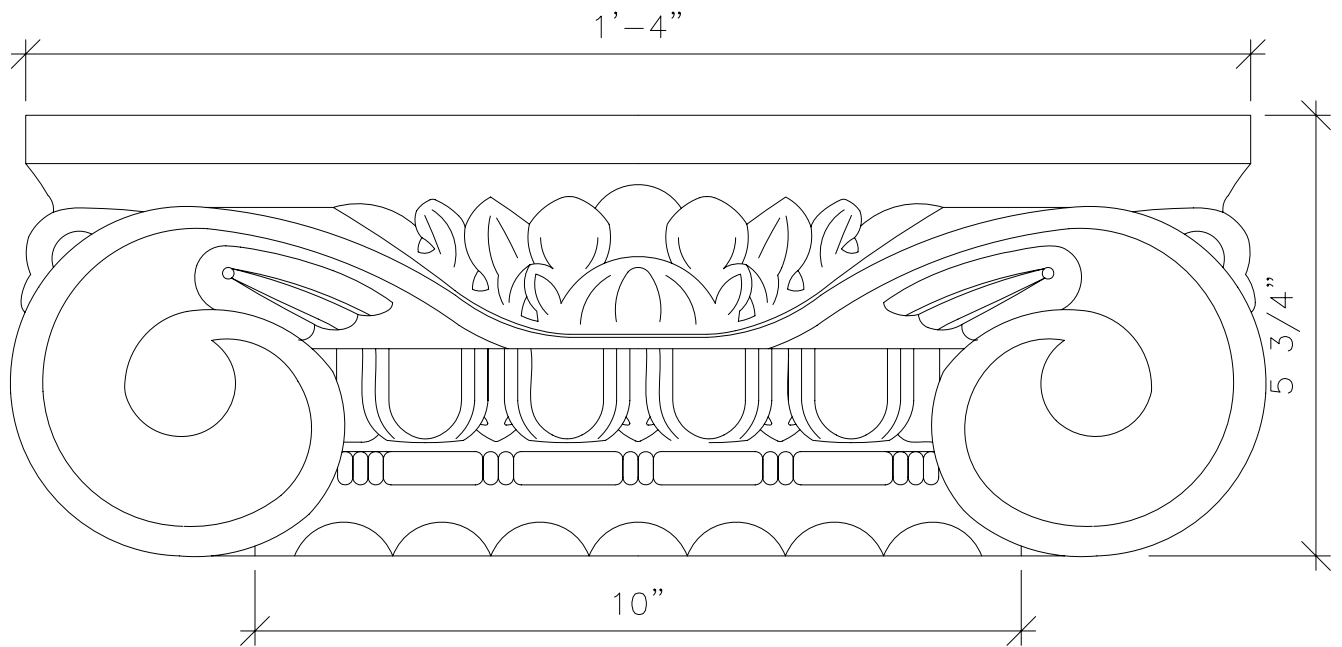
AMERICAN LIMESTONE COMPANY
 A TEXAS CORPORATION
 WWW.AMERICANLIMESTONE.COM
 INFO@AMERICANLIMESTONE.COM

PROFILE 901-M MISCELLANEOUS

2.4.23



2 CAPITAL 890-1



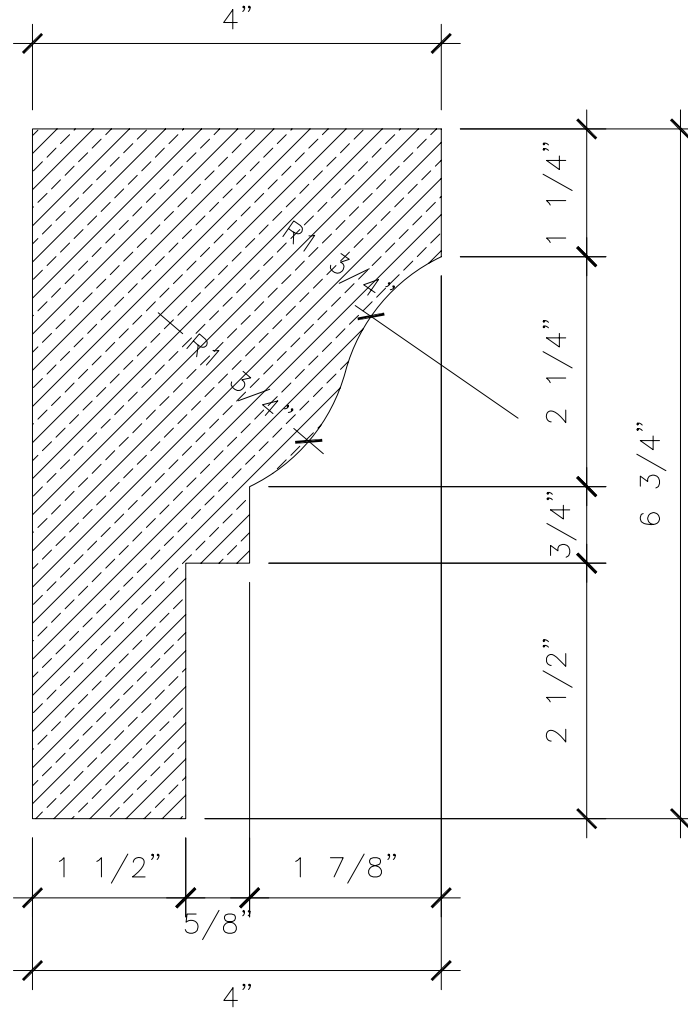
1 CAPITAL 890-1

SCALE: NTS

AMERICAN LIMESTONE COMPANY
 A TEXAS CORPORATION
 WWW.AMERICANLIMESTONE.COM
 INFO@AMERICANLIMESTONE.COM

890-1 IONIC CAPITAL ELEVATIONS - FOR PILASTER

2.4.24



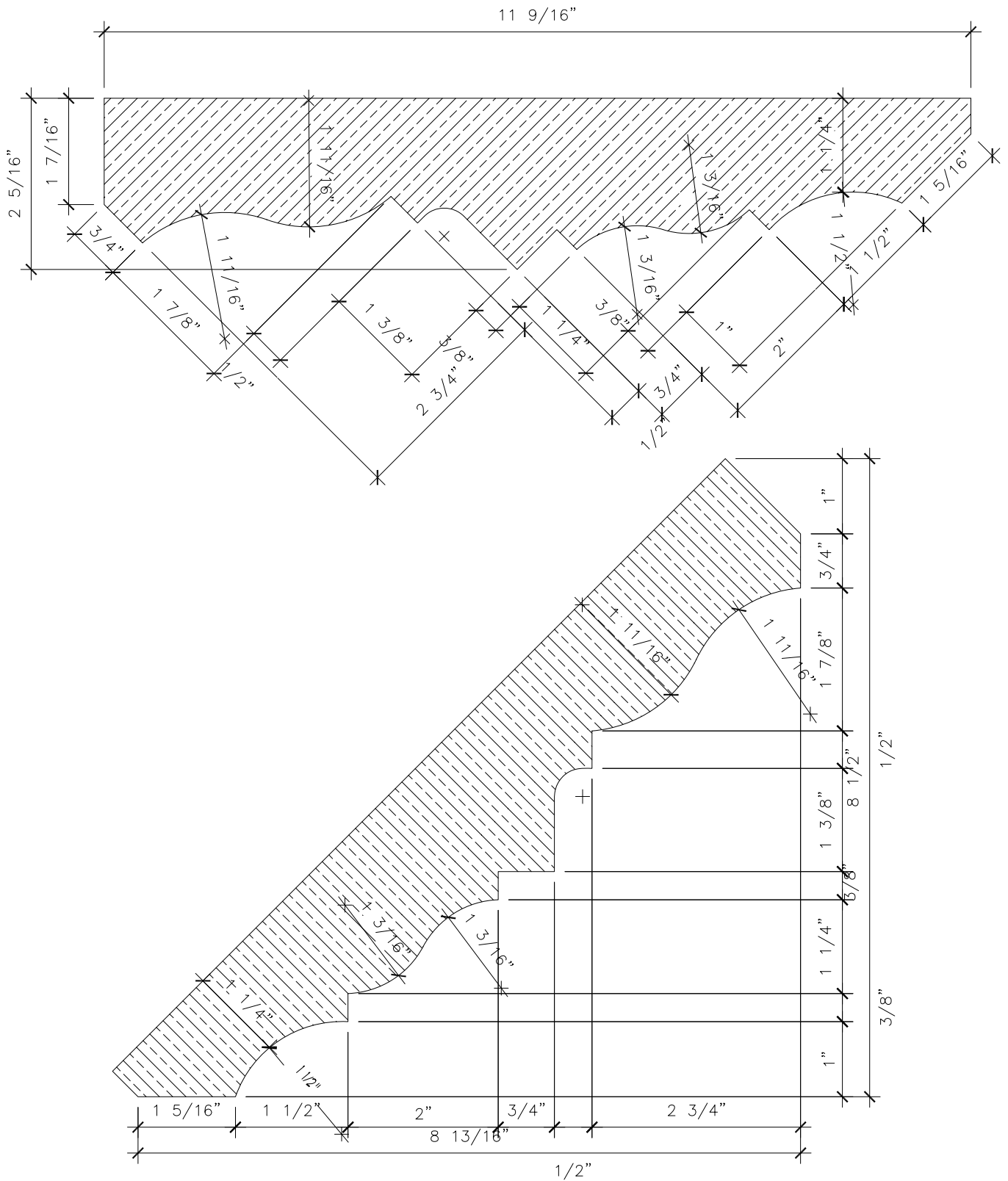
1 PROFILE 906-M

SCALE: NTS

AMERICAN LIMESTONE COMPANY
 A TEXAS CORPORATION
 WWW.AMERICANLIMESTONE.COM
 INFO@AMERICANLIMESTONE.COM

PROFILE 906-M MISCELLANEOUS

2.4.25



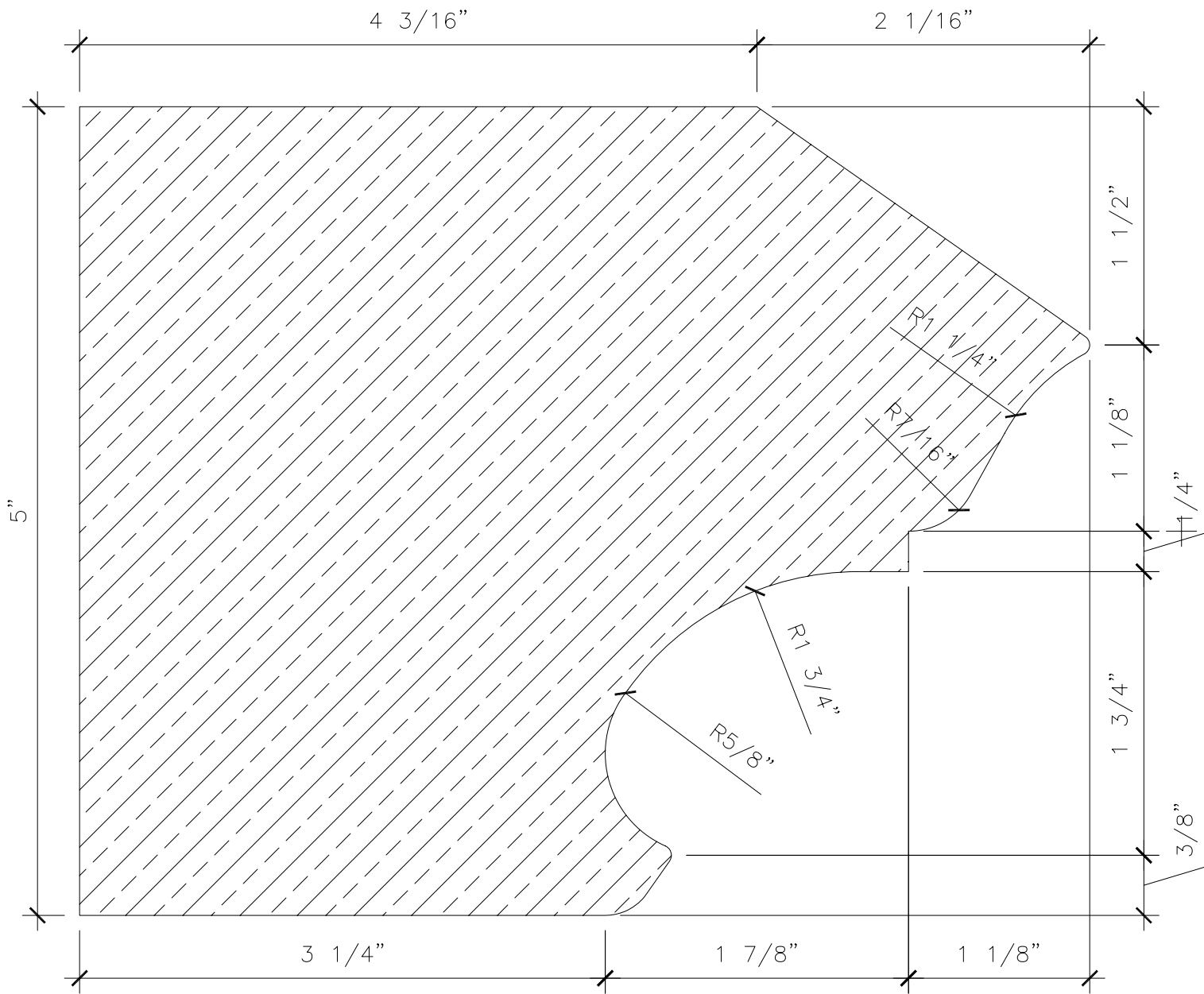
1 PROFILE 907-M

SCALE: NTS

AMERICAN LIMESTONE COMPANY
 A TEXAS CORPORATION
 WWW.AMERICANLIMESTONE.COM
 INFO@AMERICANLIMESTONE.COM

PROFILE 907-M MISCELLANEOUS

2.4.26



1 PROFILE 701-B
BRICK COMPATIBLE

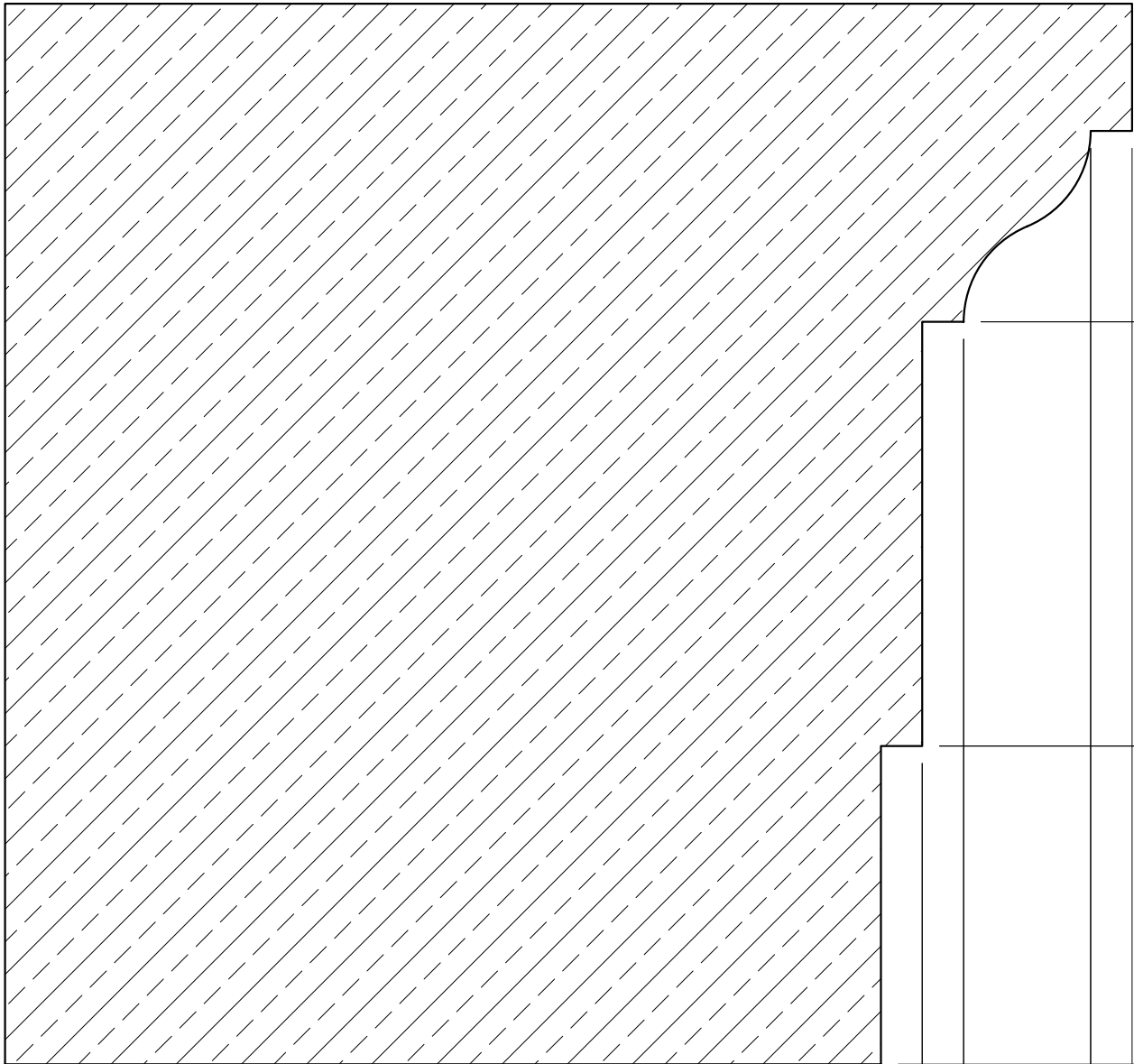
SCALE: NTS

AMERICAN LIMESTONE COMPANY
A TEXAS CORPORATION
WWW.AMERICANLIMESTONE.COM
INFO@AMERICANLIMESTONE.COM

PROFILE 701-B GOTHIC BRICK COMPATIBLE

2.4.28

6 1/8"



1

PROFILE 201-B

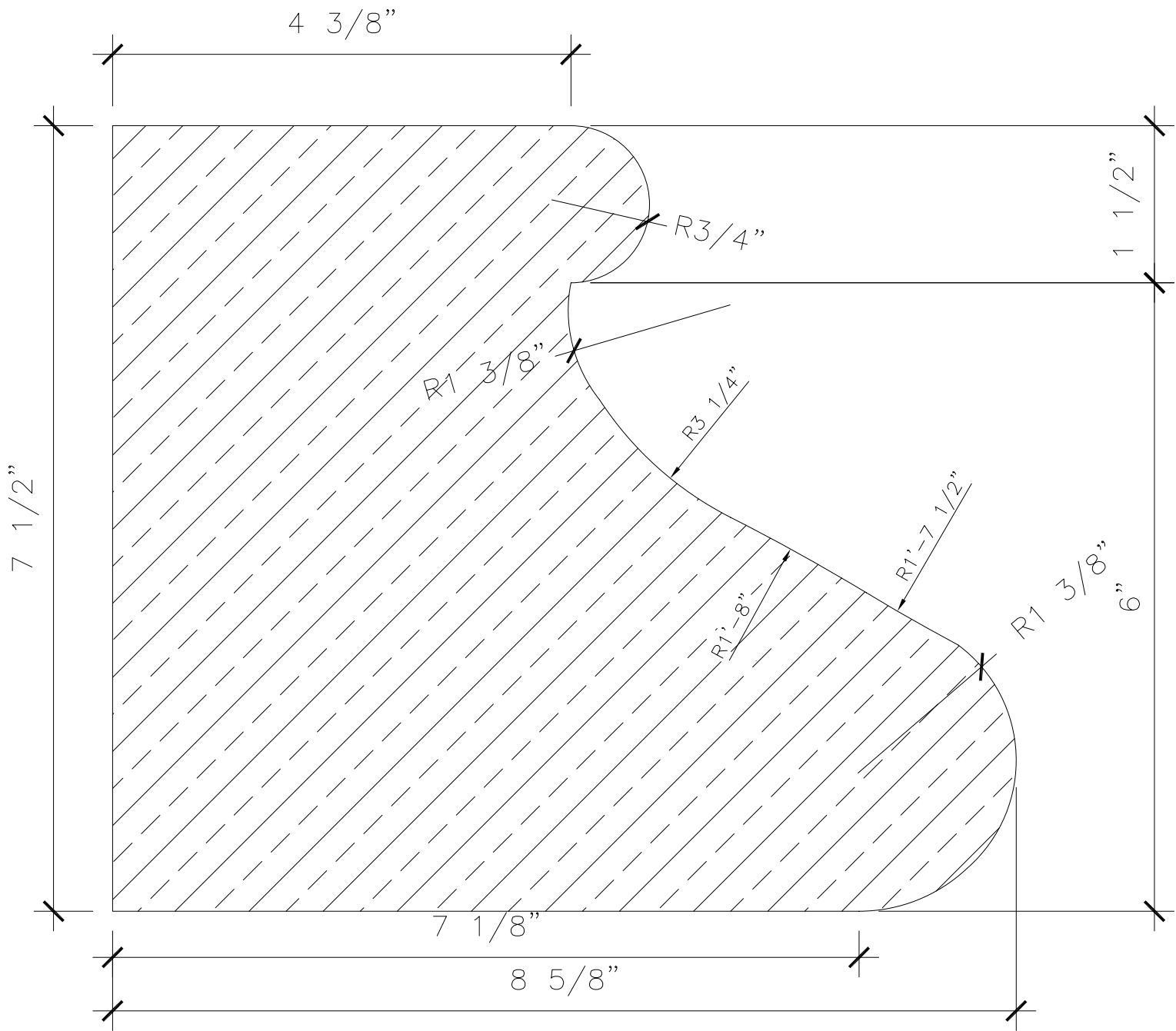
BRICK COMPATIBLE

AMERICAN LIMESTONE COMPANY

A TEXAS CORPORATION
WWW.AMERICANLIMESTONE.COM
INFO@AMERICANLIMESTONE.COM

PROFILE 201-B IONIC BRICK COMPATIBLE

2.4.29



1 PROFILE 702-B
BRICK COMPATIBLE

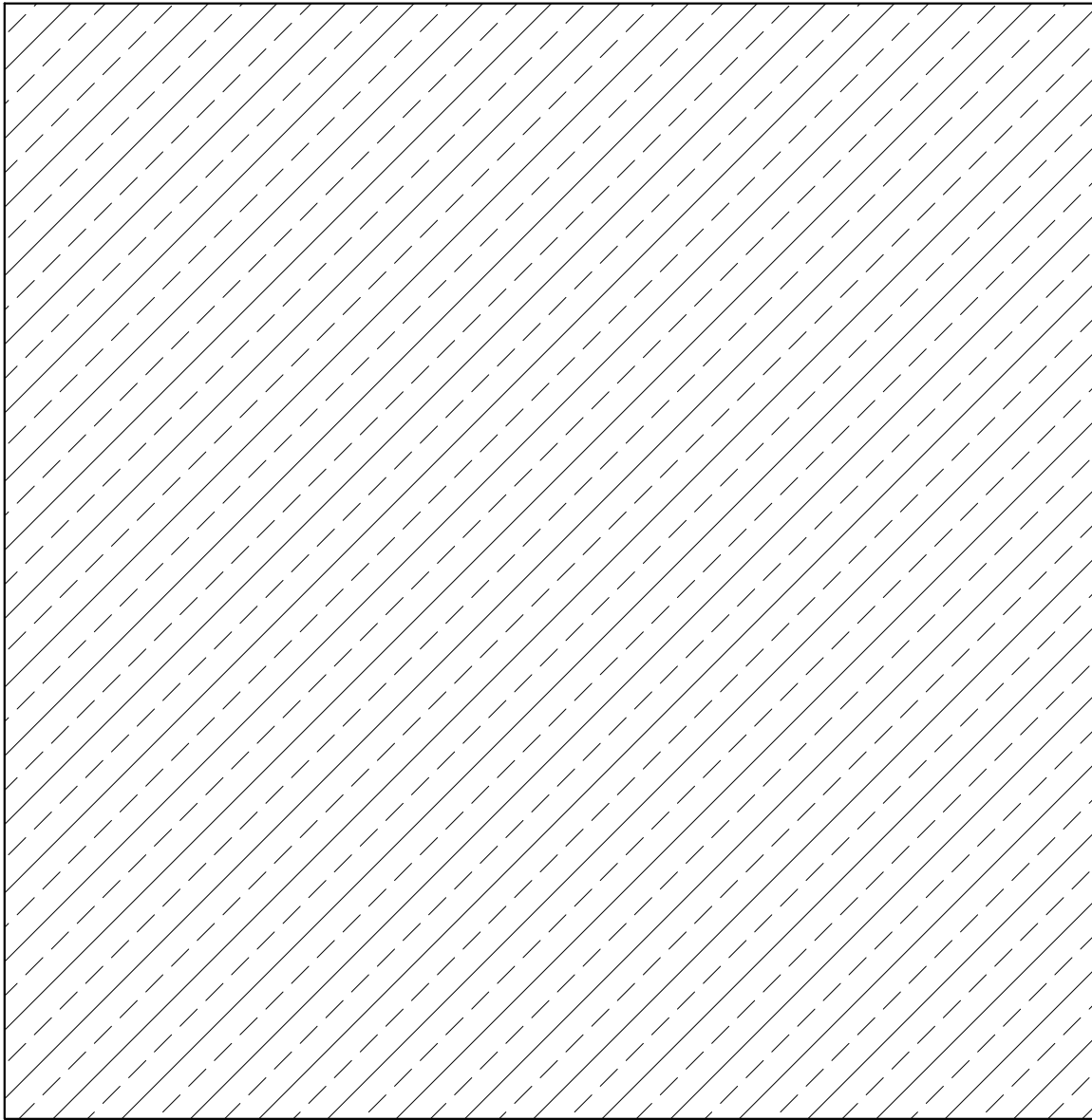
SCALE: NTS

AMERICAN LIMESTONE COMPANY
A TEXAS CORPORATION
WWW.AMERICANLIMESTONE.COM
INFO@AMERICANLIMESTONE.COM

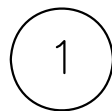
PROFILE 702-B GOTHIC BRICK COMPATIBLE

2.4.30

5 5/8"



5 3/4"



PROFILE 220-B

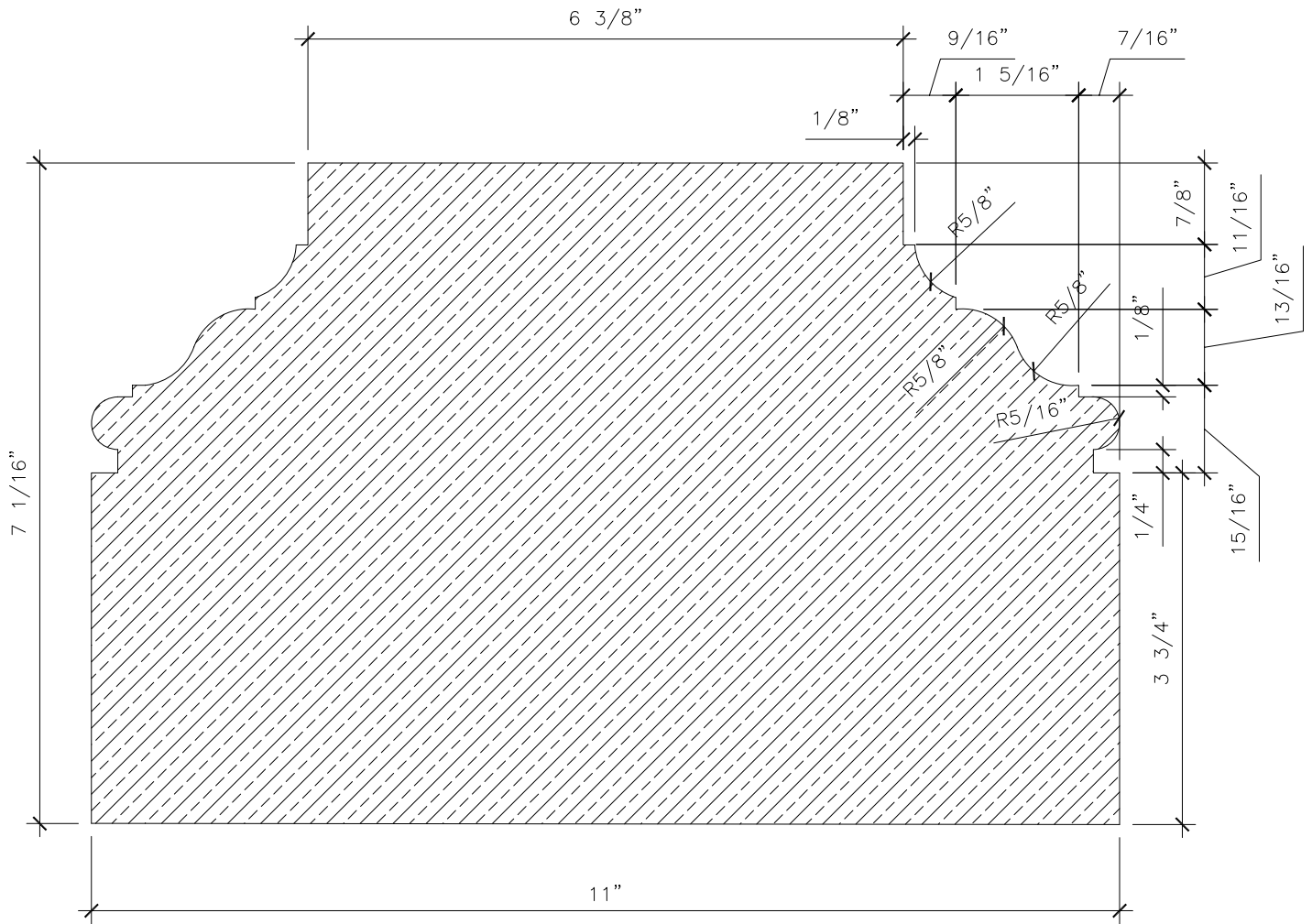
BRICK COMPATIBLE

SCALE: NTS

AMERICAN LIMESTONE COMPANY
A TEXAS CORPORATION
WWW.AMERICANLIMESTONE.COM
INFO@AMERICANLIMESTONE.COM

PROFILE 220-B TUSCAN BRICK COMPATIBLE

2.4.31



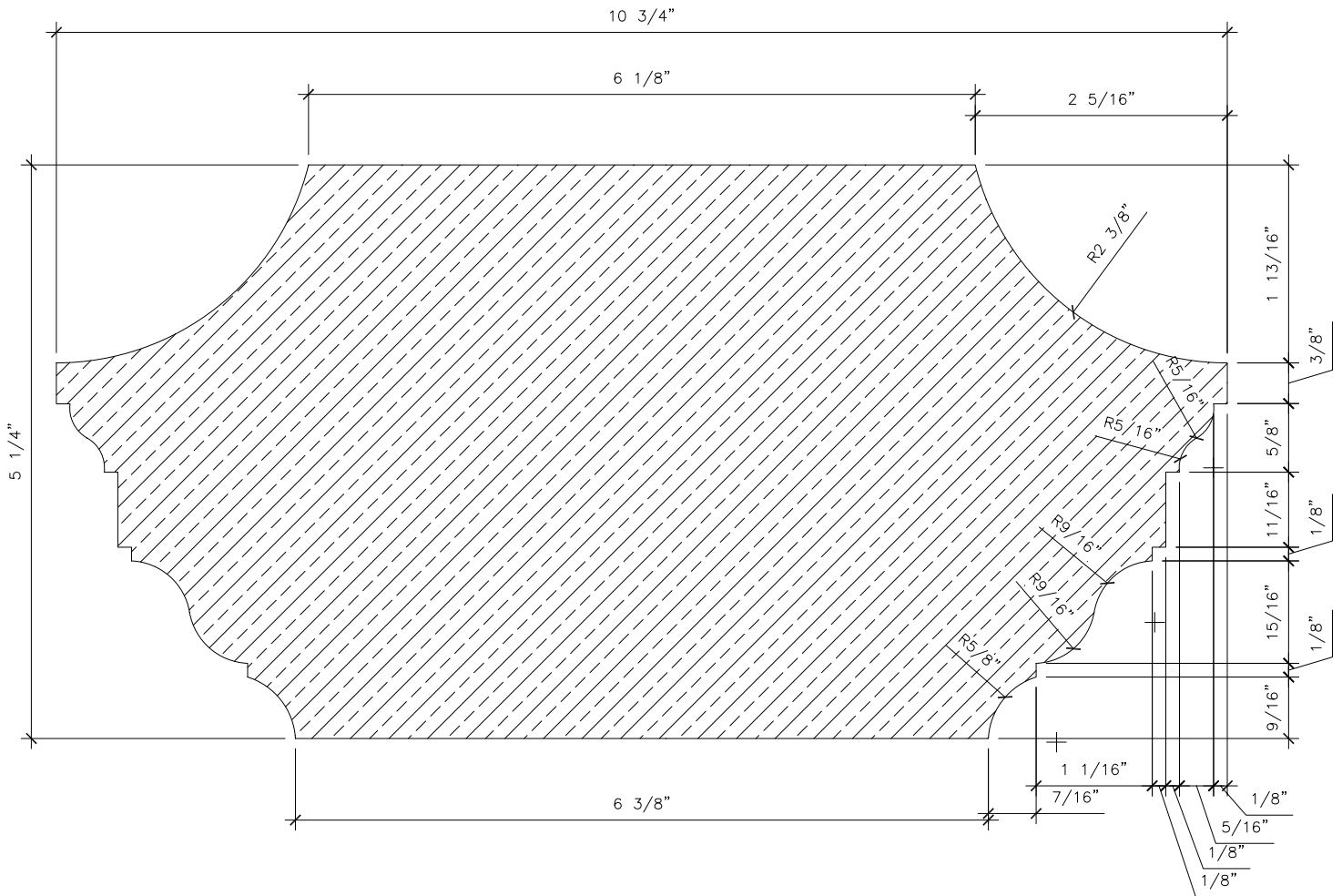
1 PROFILE 801-BR

SCALE: NTS

AMERICAN LIMESTONE COMPANY
 A TEXAS CORPORATION
 WWW.AMERICANLIMESTONE.COM
 INFO@AMERICANLIMESTONE.COM

PROFILE 801-BR IONIC

2.4.33



1 PROFILE 850-HRC

SCALE: NTS

AMERICAN LIMESTONE COMPANY
 A TEXAS CORPORATION
 WWW.AMERICANLIMESTONE.COM
 INFO@AMERICANLIMESTONE.COM

PROFILE 850-HRC IONIC

2.4.34