

STEEL PANEL SYSTEM



High Performance System with Secondary Water Control

Using the ALC Solution of
American Limestone Company, Inc.

*The elegance of natural limestone
for the price of precast.*

AMERICAN LIMESTONE COMPANY
A TEXAS CORPORATION
1905 MARILLA, DALLAS, TX 75201
PHONE (214) 747-2636 FAX (214) 747-2639

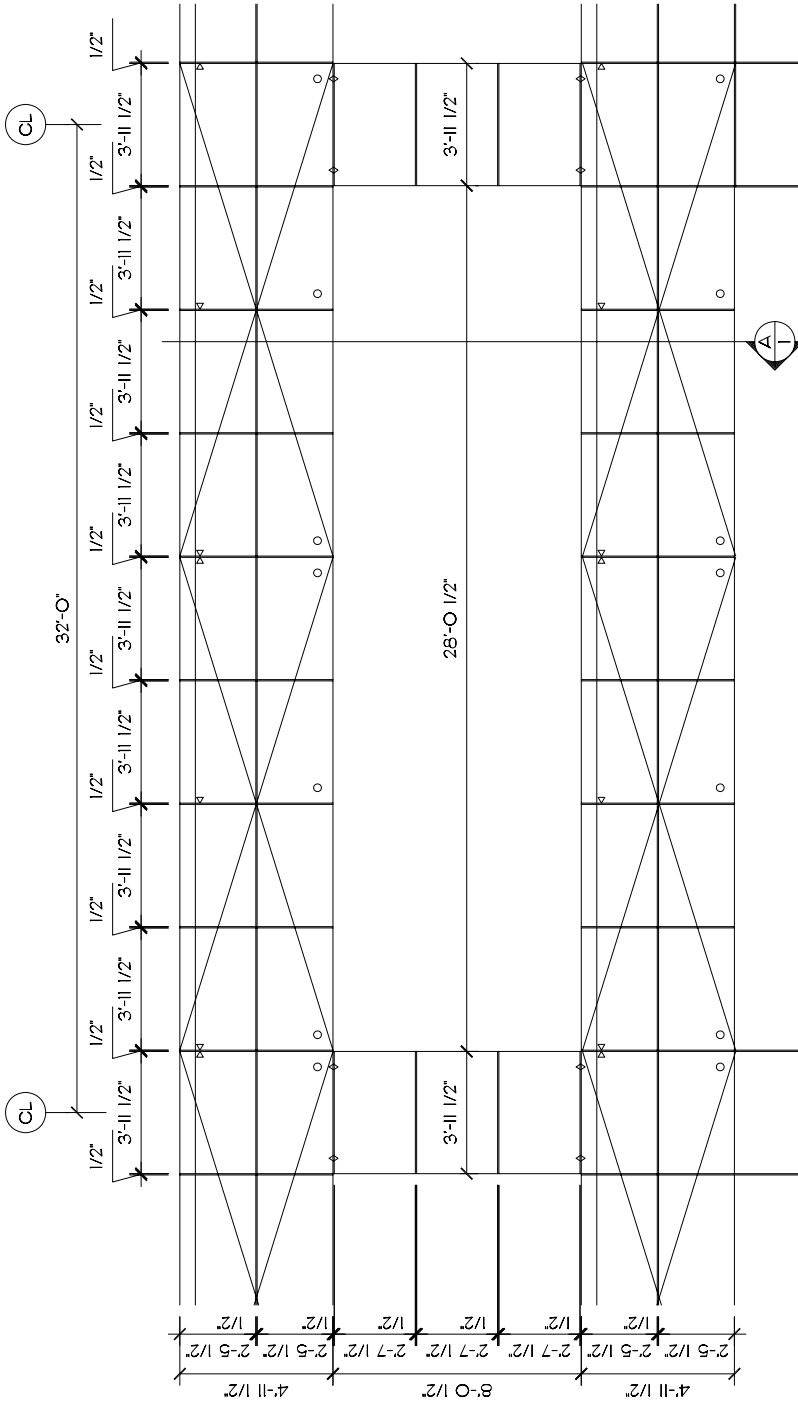
3.3.1



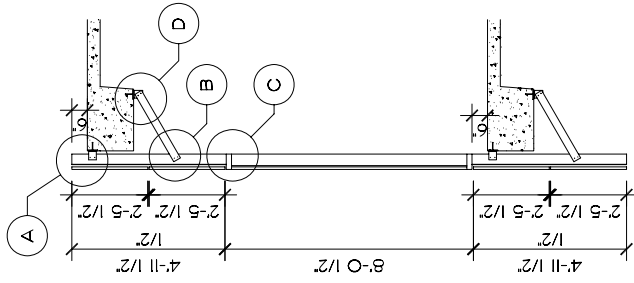
Material Description

Stone	Thickness to be 2.5 cm to 3.0 cm depending on availability and structural requirements. Continuous kerf to be cut along top and bottom edges. Mitered corners where applicable.
Steel Frame	16 gauge steel studs with galvanized finish (G60). All framing connections are shop welded unless otherwise detailed. A20 gauge galvanized sheet metal pan is fastened to the outboard surface of the panel to provide continuous air/moisture protection.
Drafting/Engineering	Full set of shop drawings and structural calculations signed and sealed by a professional engineer registered in the project state. Details to address all connections, anchors and secondary water control.
Erection	Includes assembly of stone and secondary water control to steel frame on the jobsite and erection of the panel onto the building.
Window	Horizontal strip windows or punched windows painted to the specified color with 1" insulated glass (silver/clear).
Caulking	Silicone sealant.

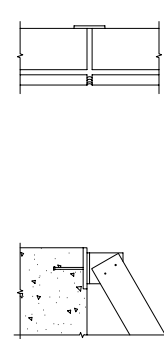
VALUE ENGINEERING HAS BEEN DONE



1 ELEVATION
SCALE: 1/4" = 1'-0"



A SECTION
SCALE: 1/4" = 1'-0"



- 1 GRAVITY ANCHOR TO STRUCTURE
 2 GRAVITY AND AIR TO STRUCTURE
 3 WINDLOAD TAB TO STRUCTURE
 4 PANEL TO PANEL CONNECTION

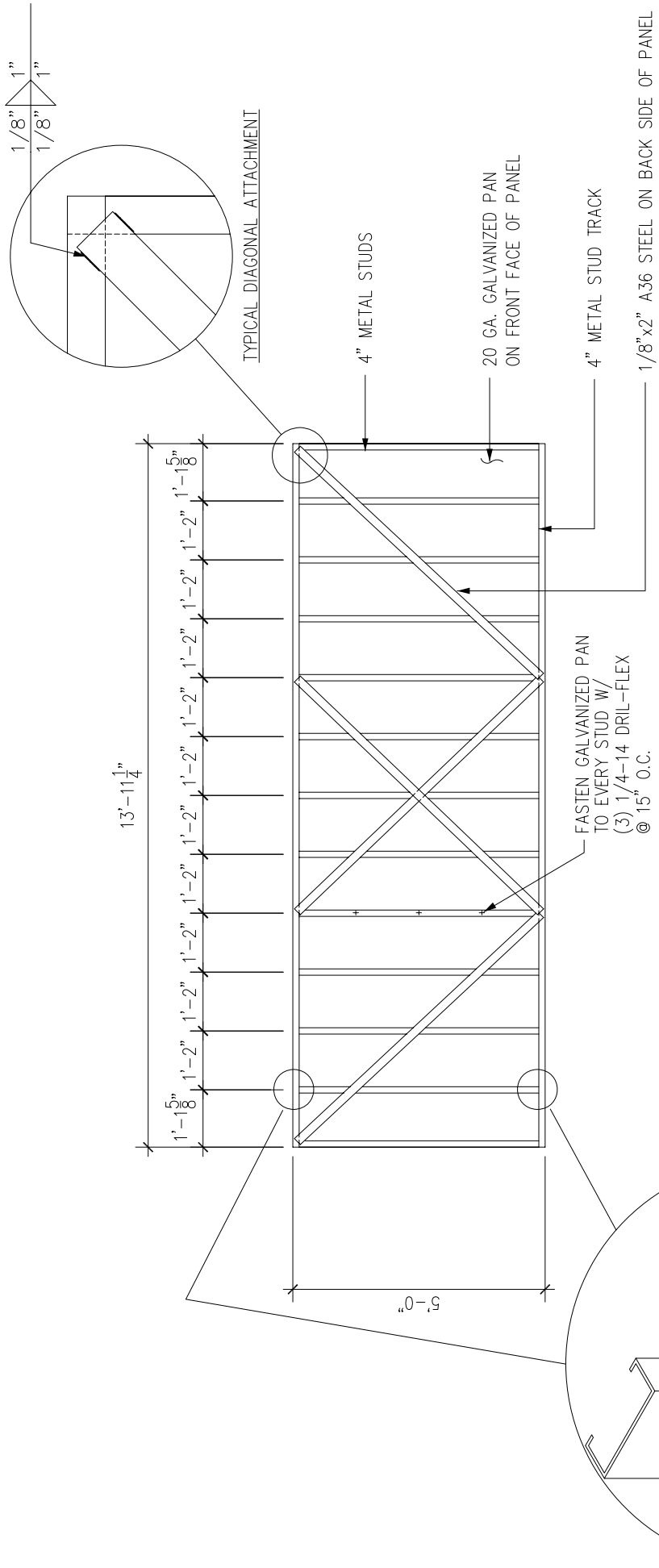
AMERICAN LIMESTONE COMPANY
 A TEXAS CORPORATION
 WWW.AMERICANLIMESTONE.COM
 INFO@AMERICANLIMESTONE.COM



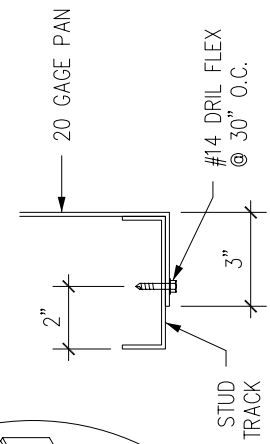
Curtain Wall Design
 & Consulting I N C

7502 GREENVILLE AVE.
 SUITE 800
 DALLAS, TEXAS
 75231 USA
 TEL (972) 437-4200
 FAX (972) 437-4562

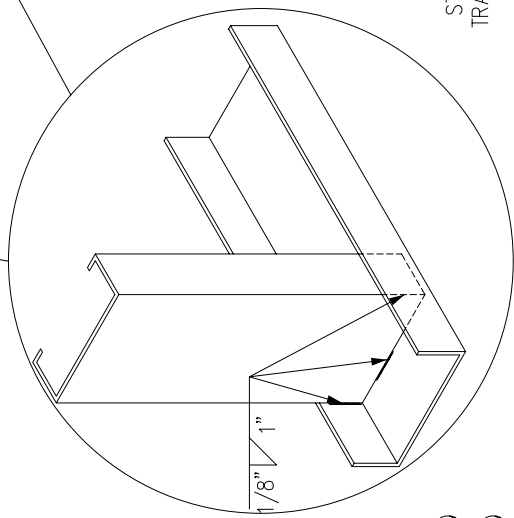
JOB		JOB NO.	
SUBJECT		SHEET NO.	
BY	DATE	CHKD. BY	DATE
TJW	4-22-02	JB	4-22-02
		OF SHTS.	
		1	



1 BACK VIEW OF PANEL
SCALE: 1/2" = 1'-0"

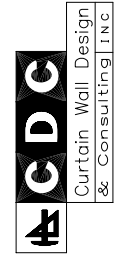


TYPICAL PERIMETER DETAIL (ALL 4 SIDES)



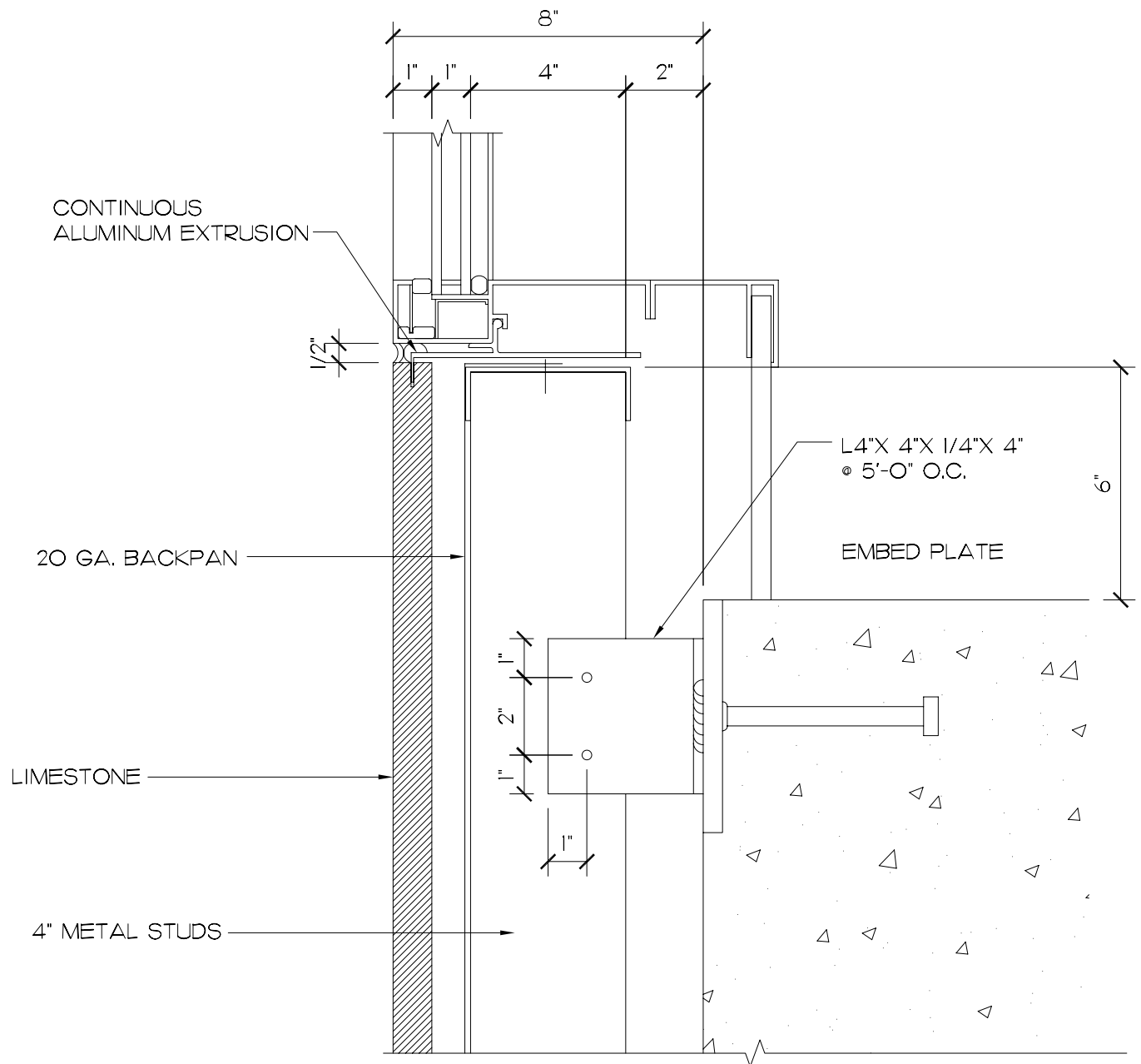
TYPICAL CONNECTION STUD TO TRACK

AMERICAN LIMESTONE COMPANY
A TEXAS CORPORATION
WWW.AMERICANLIMESTONE.COM
INFO@AMERICANLIMESTONE.COM



7502 GREENVILLE AVE.
SUITE 800
DALLAS, TEXAS USA
75231
TEL (972) 437-6200
FAX (972) 437-4562

JOB	PROTOTYPE	JOB NO.	
SUBJECT	TYPICAL PANEL	SHEET NO.	2
BY	TW	DATE	4-22-02
CHKD. BY	JB	DATE	4-22-02
		OF	SHTS.



SECTION
SCALE: NTS

AMERICAN LIMESTONE COMPANY
A TEXAS CORPORATION
WWW.AMERICANLIMESTONE.COM
INFO@AMERICANLIMESTONE.COM

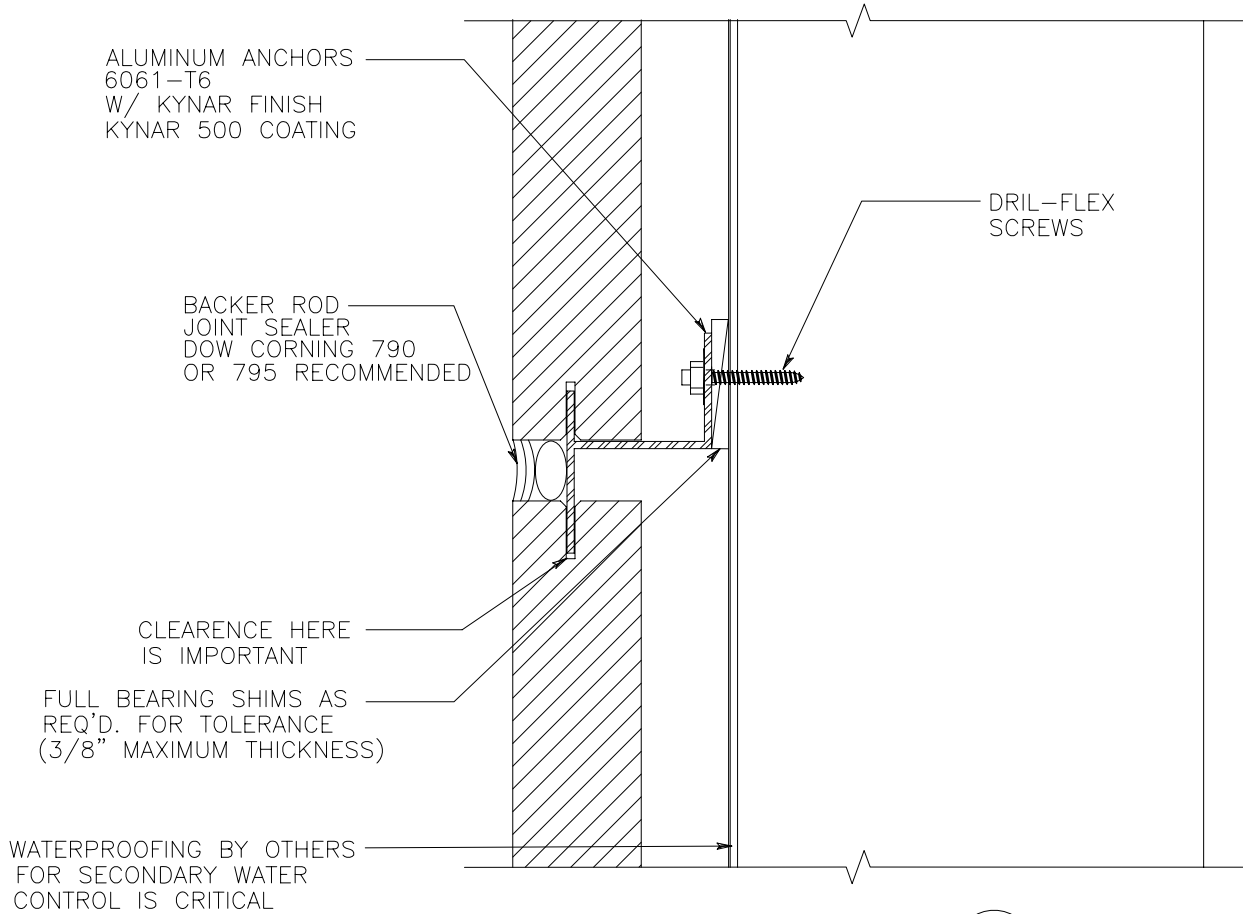


Curtain Wall Design
& Consulting INC

7502 GREENVILLE AVE.
SUITE 800
DALLAS, TEXAS
75231 USA
TEL. (972) 437-4200
FAX (972) 437-4562

JOB		JOB NO.	
SUBJECT		SHEET NO.	
SECTION DETAIL AT BASE OF GLAZING		A	
BY	DATE	CHKD. BY	DATE
	03-03-04		03-03-04
		OF SHTS.	

3.3.5



B SECTION
SCALE: NTS

AMERICAN LIMESTONE COMPANY

A TEXAS CORPORATION
WWW.AMERICANLIMESTONE.COM
INFO@AMERICANLIMESTONE.COM

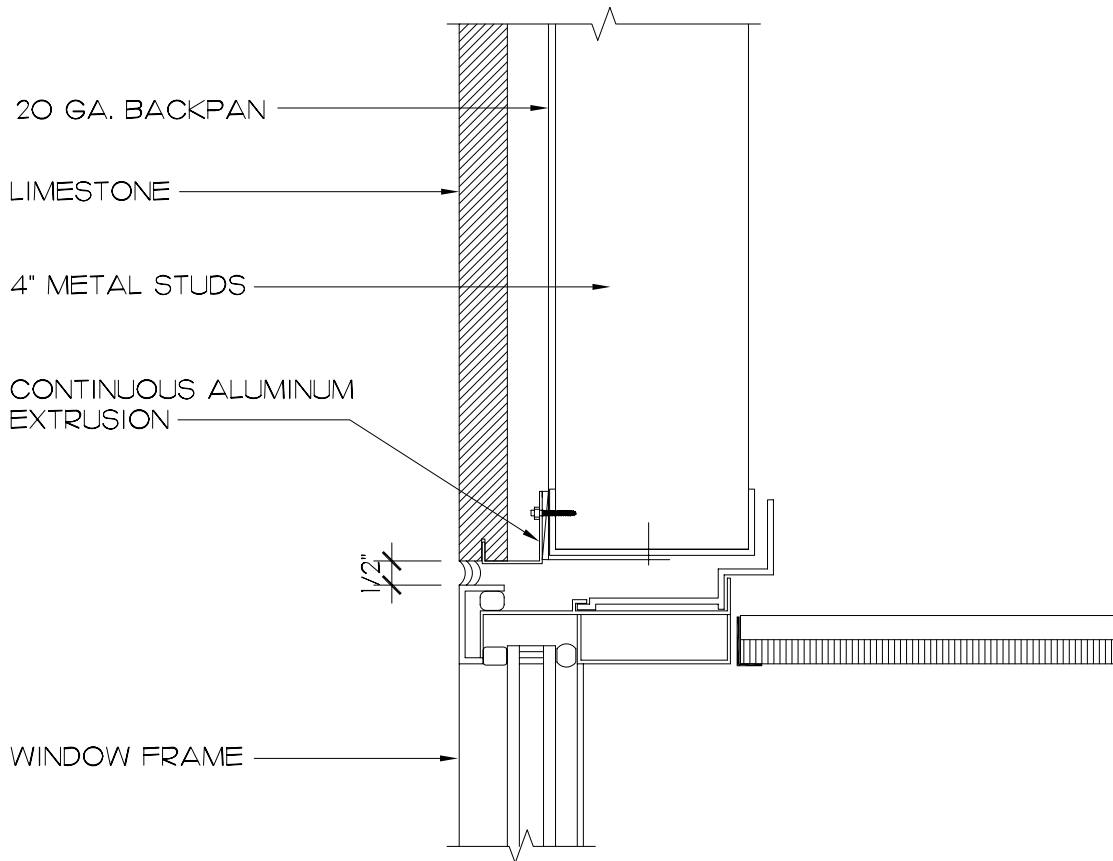


Curtain Wall Design
& Consulting Inc

7502 GREENVILLE AVE.
SUITE 800
DALLAS, TEXAS
75231 USA
TEL. (972) 437-4200
FAX (972) 437-4562

JOB				JOB NO.	
SUBJECT				SHEET NO.	
SECTION DETAIL AT JOINT OF STONE PANELING				B OF SHTS.	
BY	DATE	CHKD. BY	DATE		
	03-03-04		03-03-04		

3.3.6



C SECTION
SCALE: NTS

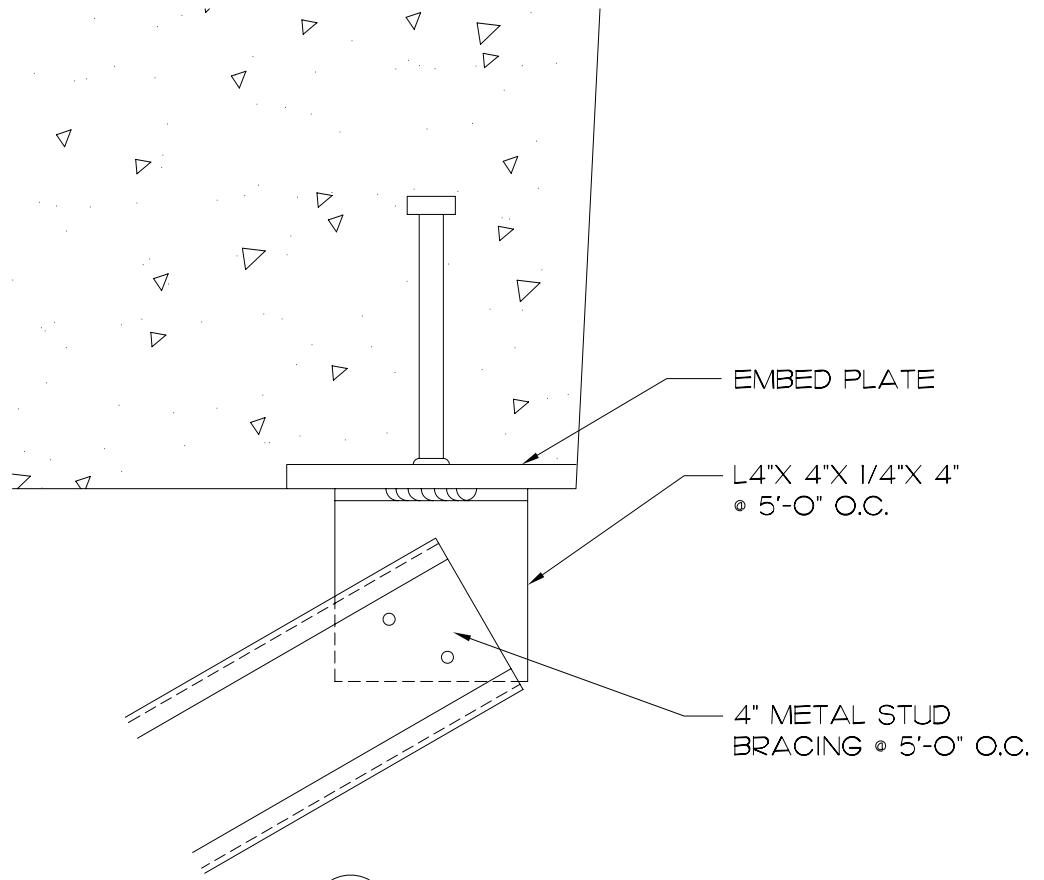
AMERICAN LIMESTONE COMPANY
A TEXAS CORPORATION
WWW.AMERICANLIMESTONE.COM
INFO@AMERICANLIMESTONE.COM



7502 GREENVILLE AVE.
SUITE 800
DALLAS, TEXAS
75231 USA
TEL. (972) 437-4200
FAX (972) 437-4562

JOB				JOB NO.	
SUBJECT				SHEET NO.	
SECTION DETAIL AT TOP OF GLAZING				C	
BY	DATE	CHKD. BY	DATE	OF	SHTS.
	03-03-04		03-03-04		

3.3.7



D SECTION
SCALE: NTS

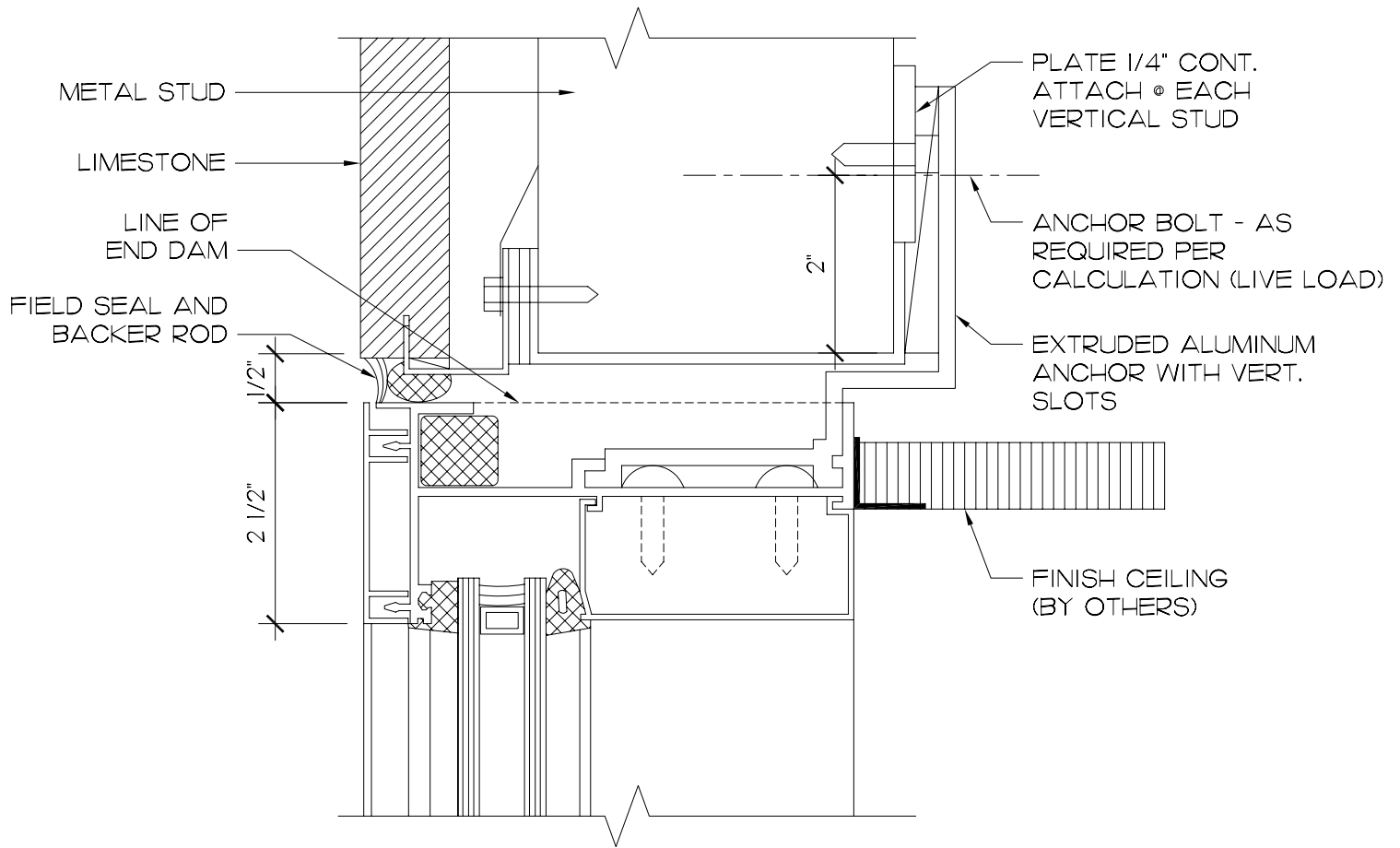
AMERICAN LIMESTONE COMPANY
 A TEXAS CORPORATION
 WWW.AMERICANLIMESTONE.COM
 INFO@AMERICANLIMESTONE.COM



7502 GREENVILLE AVE.
 SUITE 800
 DALLAS, TEXAS
 75231 USA
 TEL. (972) 437-4200
 FAX (972) 437-4562

JOB				JOB NO.
SUBJECT				SHEET NO.
SECTION DETAIL OF STRUCTURAL BRACING				D OF SHTS.
BY	DATE	CHKD. BY	DATE	
	03-03-04		03-03-04	

3.3.8



E TYPICAL HEAD @ VISION GL.
SCALE: NTS

AMERICAN LIMESTONE COMPANY

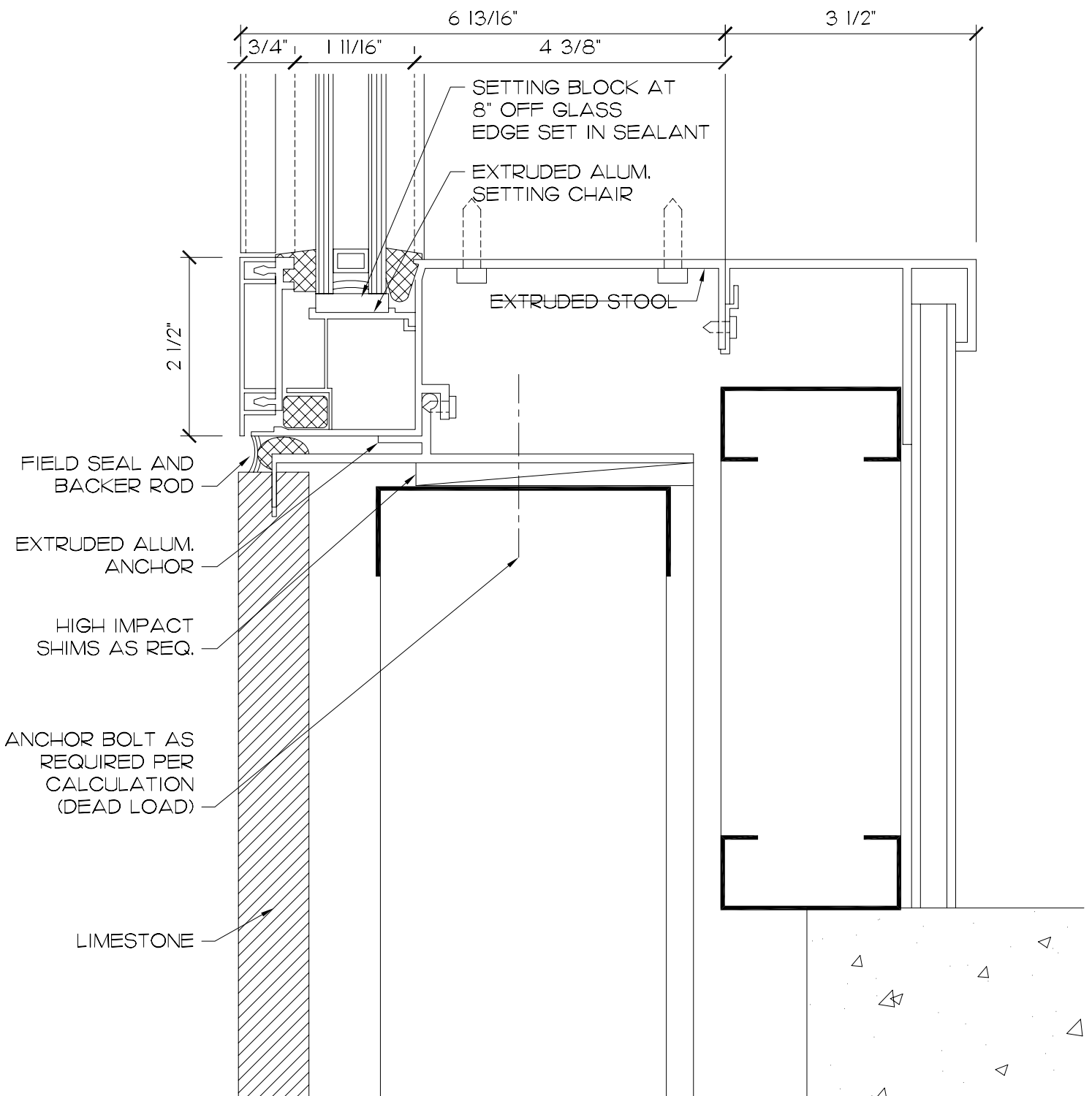
A TEXAS CORPORATION
WWW.AMERICANLIMESTONE.COM
INFO@AMERICANLIMESTONE.COM



Curtain Wall Design
& Consulting INC


7502 GREENVILLE AVE.
SUITE 800
DALLAS, TEXAS
75231 USA
TEL. (972) 437-4200
FAX (972) 437-4562

JOB				JOB NO.	
SUBJECT				SHEET NO.	
DETAIL AT TOP OF GLAZING				E	
BY	DATE	CHKD. BY	DATE	OF SHTS.	
	03-03-04		03-03-04		



AMERICAN LIMESTONE COMPANY
 A TEXAS CORPORATION
 WWW.AMERICANLIMESTONE.COM
 INFO@AMERICANLIMESTONE.COM

F TYPICAL SILL @ VISION GL.
 SCALE: NTS

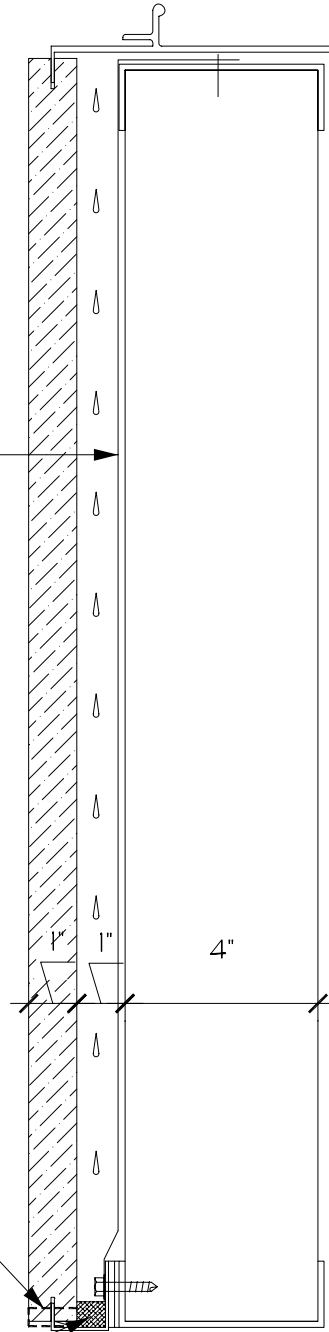
 CDC Curtain Wall Design & Consulting INC		7502 GREENVILLE AVE. SUITE 800 DALLAS, TEXAS 75231 USA TEL. (972) 437-4200 FAX (972) 437-4562		JOB		JOB NO.	
		SUBJECT DETAIL AT BASE OF GLAZING				SHEET NO. F	
BY		DATE 03-03-04	CHKD. BY	DATE 03-03-04	OF SHTS.		

3.3.10

WATERPROOFING

WEEP TUBE AT VERTICAL JOINTS

BAFFLE AT WEEP TUBES



G WATER CONTROL DETAIL
SCALE: NTS

AMERICAN LIMESTONE COMPANY
A TEXAS CORPORATION
WWW.AMERICANLIMESTONE.COM
INFO@AMERICANLIMESTONE.COM



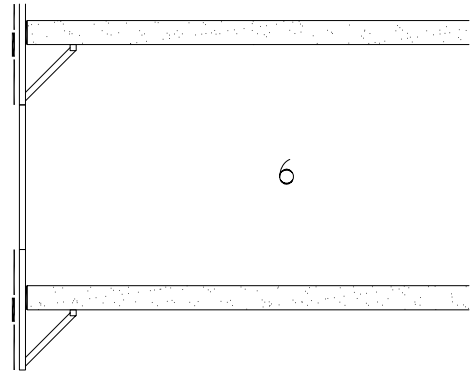
Curtain Wall Design
& Consulting Inc

7502 GREENVILLE AVE.
SUITE 800
DALLAS, TEXAS
75231 USA
TEL. (972) 437-4200
FAX (972) 437-4562

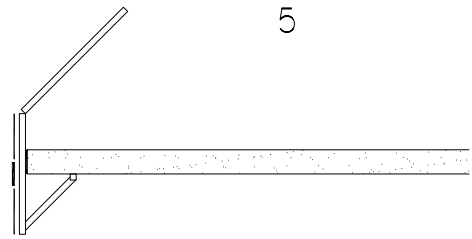
JOB				JOB NO.	
SUBJECT				SHEET NO.	
WATER CONTROL DETAIL				G OF SHTS.	
BY	DATE	CHKD. BY	DATE		
TJW	4-22-02	JB	4-22-02		

SUMMARY - ENGINEERED AND DESIGNED SYSTEM IS ASSEMBLED PER EACH PROJECT REQUIREMENT. LIGHT GAGE STEEL STIFFBACK FRAMING WITH 20 GAGE FACE PAN, PREVENTS WATER PENETRATION. INTEGRATED GLAZING SYSTEM, RESULTS IN MINIMAL EXTERIOR ERECTION AND FINISH, AND ELIMINATES SCAFFOLDING REQUIREMENTS.

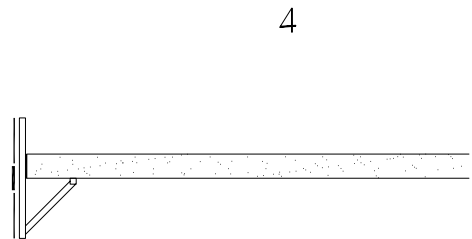
6 AFTER JOINTS ARE SEALED, THE COMPLETE CURTAIN WALL SYSTEM IS READY FOR INTERIOR FINISHES.



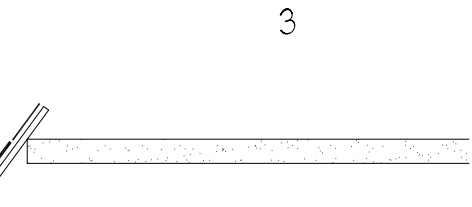
5 GLAZING UNIT IS ASSEMBLED AND ROTATED INTO POSITION BETWEEN SPANDREL PANELS.



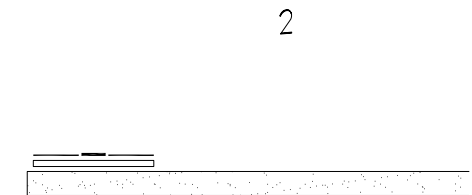
4 KICKERS ARE THEN ADDED FOR PROPER BRACING AND STRUCTURAL STABILITY.



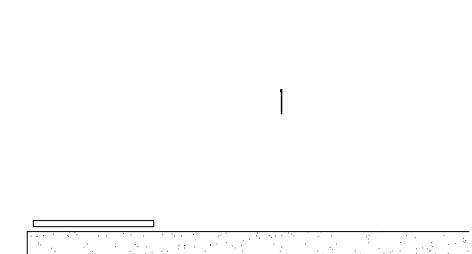
3 STIFFBACK FRAME IS ROTATED OVER SLAB EDGES WITH HOIST CABLES AND ANCHORED INTO FINAL POSITION.



2 STONE PANELS MAY BE APPLIED PRIOR TO ROTATION AND ERECTION.



1 PREFABRICATED LIGHT GAGE STIFFBACK FRAMES DELIVERED TO JOB SITE AND STAGED AT FLOOR LEVELS.



AMERICAN LIMESTONE COMPANY
 A TEXAS CORPORATION
 WWW.AMERICANLIMESTONE.COM
 INFO@AMERICANLIMESTONE.COM



7502 GREENVILLE AVE.
 SUITE 800
 DALLAS, TEXAS
 75231 USA
 TEL. (972) 437-4200
 FAX (972) 437-4562

JOB				JOB NO.	
SUBJECT				SHEET NO.	
SUMMARY OF CURTAIN WALL ERECTION				A	
BY	DATE	CHKD. BY	DATE	OF SHTS.	
	03-03-04		03-03-04		